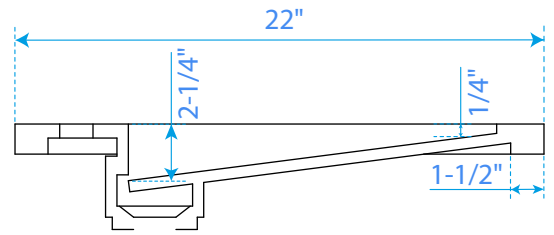
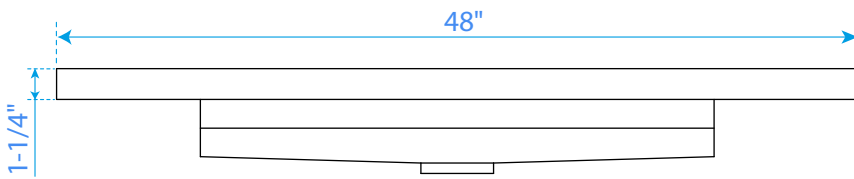
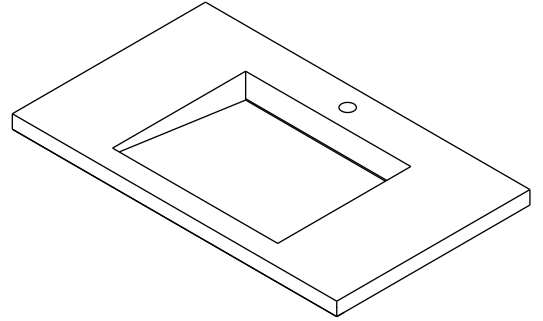
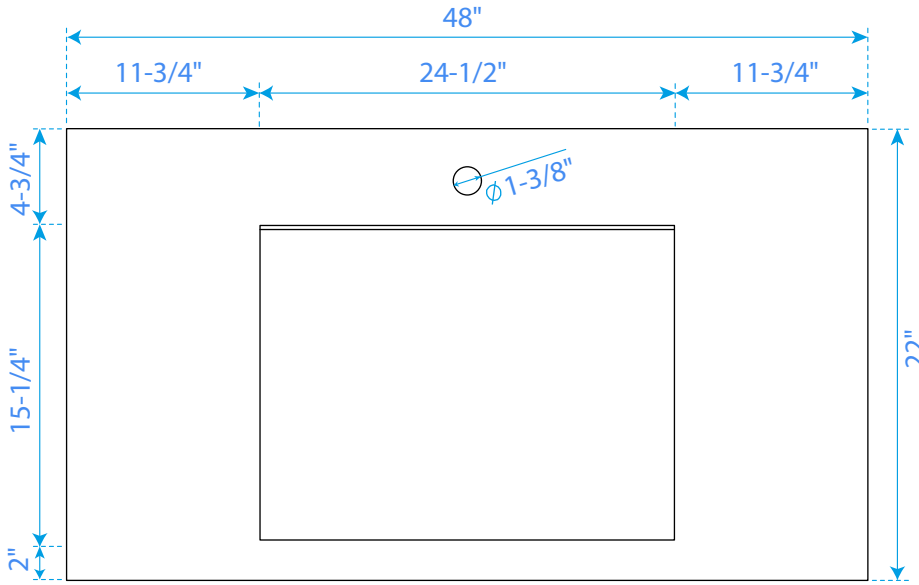


WYNDHAM COLLECTION



*Note: All measurements are $\pm 1/4"$.

WC-KC1-48-SGL-TOP