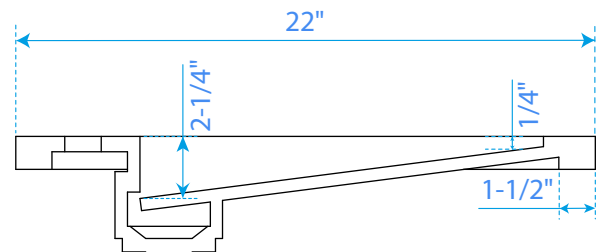
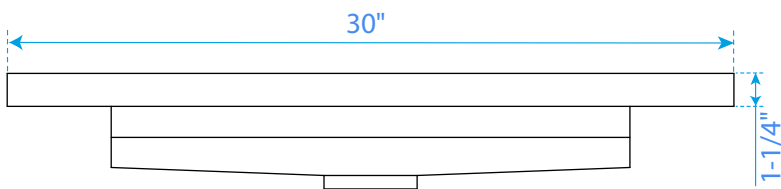
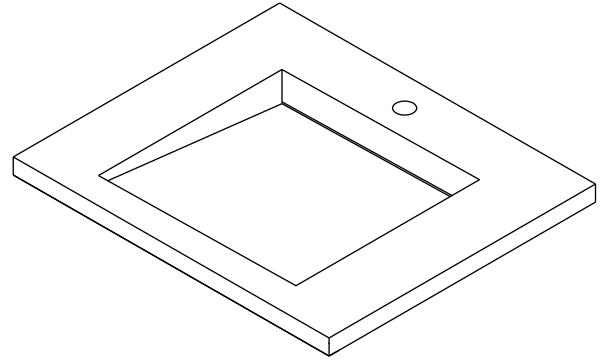
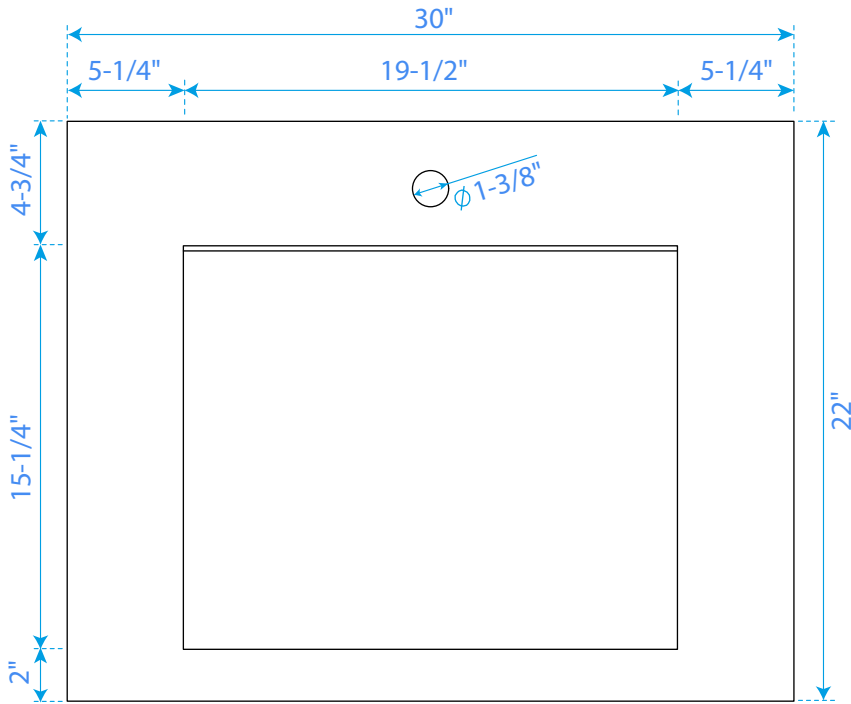


WYNDHAM COLLECTION



*Note: All measurements are $\pm 1/4"$.

WC-KCI-30-SGL-TOP