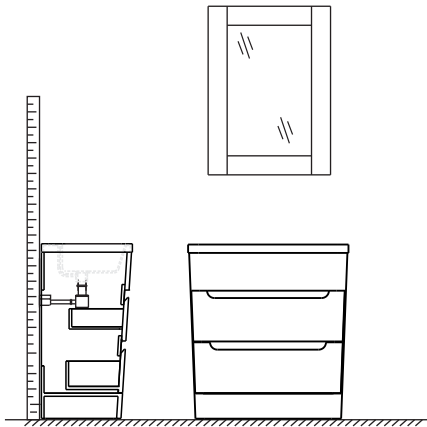
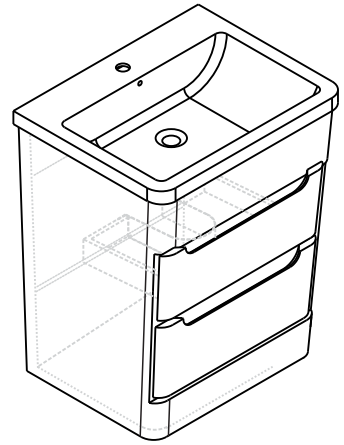


# WYNDHAM COLLECTION

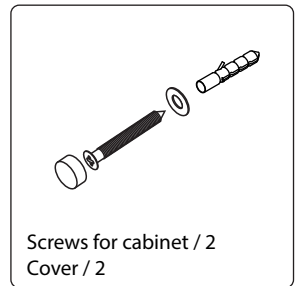
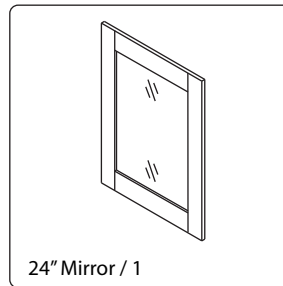
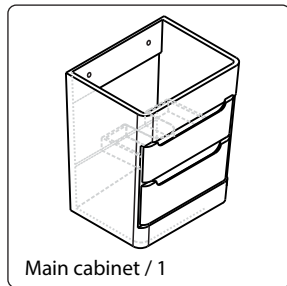
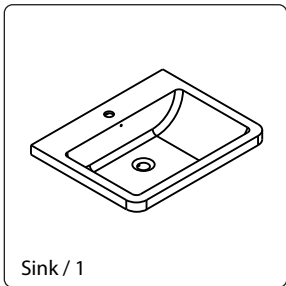


- Prior to installation please check received items against the "Packing List". Please report any missing items to your retailer immediately.
- Protect all surfaces from sharp objects, high heat sources, direct prolonged sunlight and chemical hazards.
- Professional installation recommended.

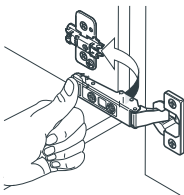


## PACKING LIST

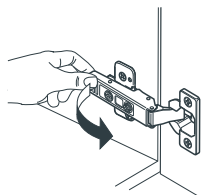
(Not all components may be included, depending on your purchase)



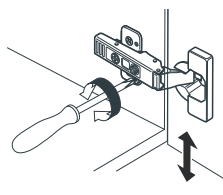
## INSTALLATION AND ADJUSTMENT OF HINGES (if required)



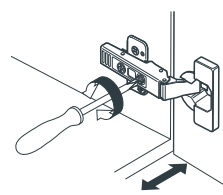
install



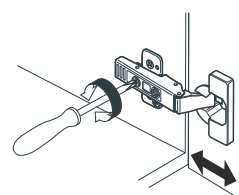
remove



adjust height

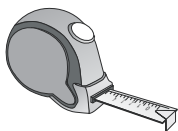


adjust laterally



adjust depth

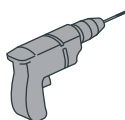
## REQUIRED TOOLS NOT IN BOX



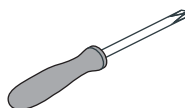
Tape Measure



Pencil



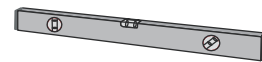
Electric Drill



Phillips Screwdriver



Adjustable Wrench



Spirit Level

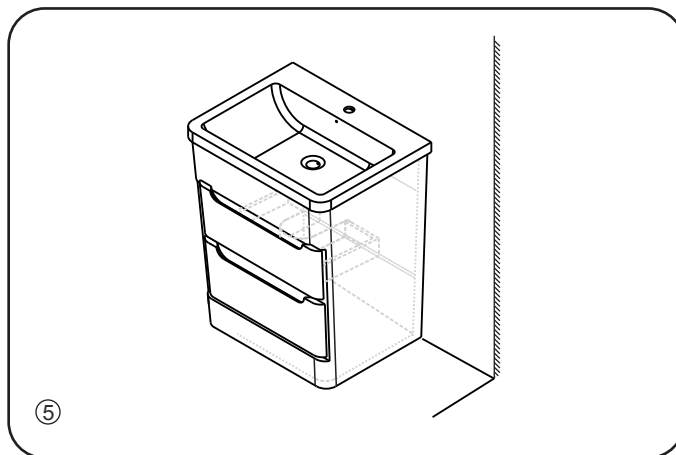
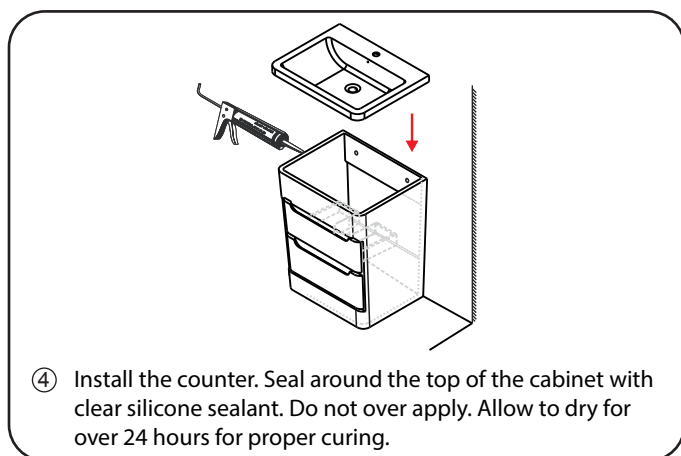
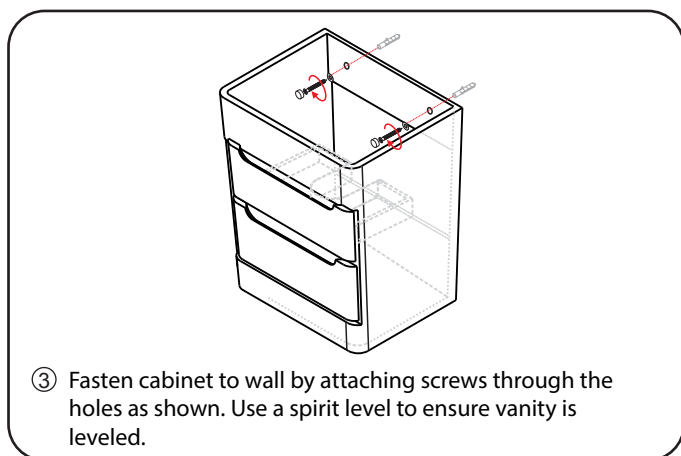
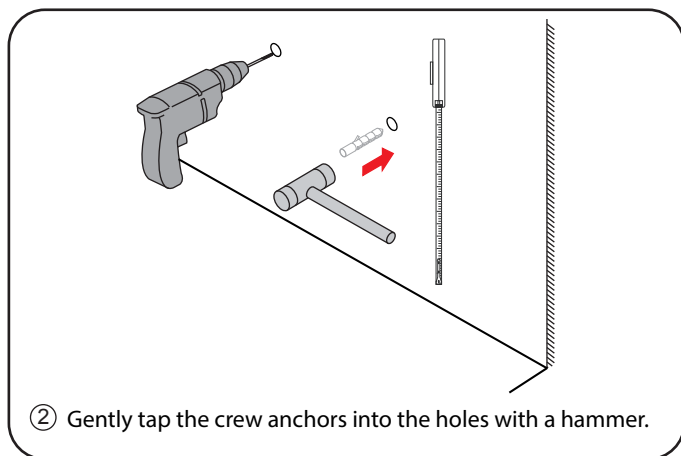
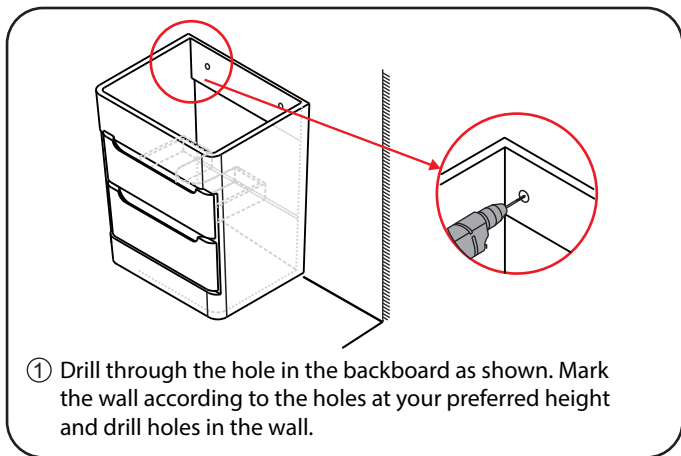


Silicone Sealant

WC-7778-30  
INSTALLATION-GUIDE

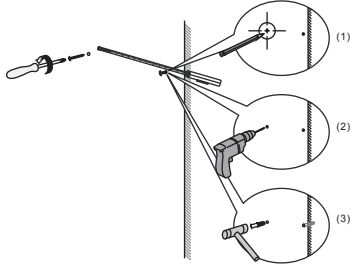
# WYNDHAM COLLECTION

## INSTALLATION INSTRUCTIONS

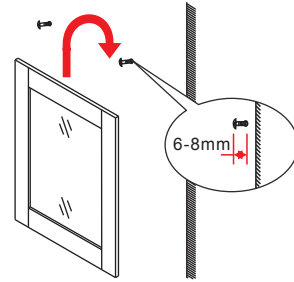


## WC-7778-30 INSTALLATION-GUIDE

# WYNDHAM COLLECTION



- ⑥ Install the mirror: use a pencil to mark the placement of the screw holes on the wall, drill the holes and insert the plastic wall anchors.



- ⑦ Install the screws into the wall anchors, leaving enough of the screw exposed to hang the mirror - approx. 1/4"-1/2".

WC-7778-30  
INSTALLATION-GUIDE