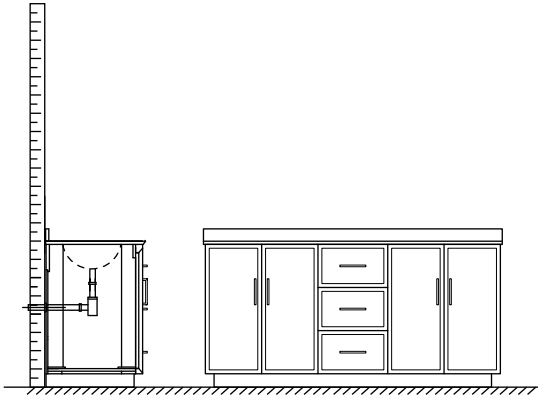


# WYNDHAM COLLECTION



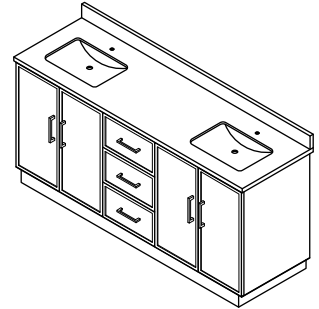
- Prior to installation please check received items against the "Packing List". Please report any missing items to your retailer immediately.

- Protect all surfaces from sharp objects, high heat sources, direct prolonged sunlight and chemical hazards.

- Professional installation recommended.

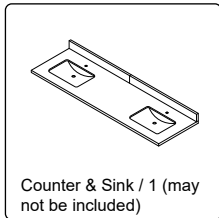
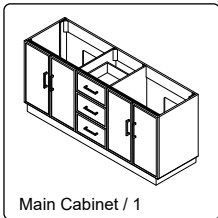
- Backsplash comes in two pieces.

- **Please install on a level surface. If minor door and drawer alignment is required, please follow the easy directions on the next page.**

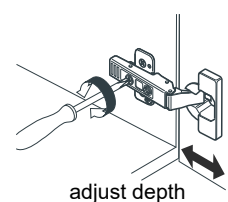
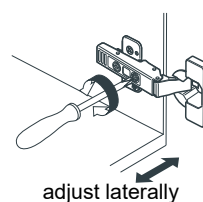
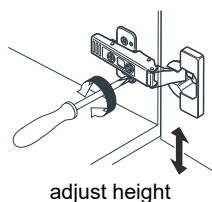
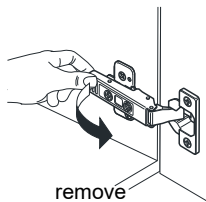
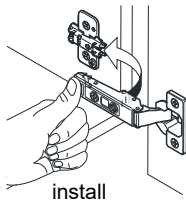


## PACKING LIST

(Not all components may be included, depending upon your purchase)



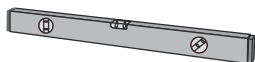
## HOW TO ADJUST HINGES (if required)



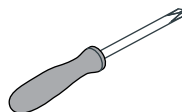
## REQUIRED TOOLS NOT IN BOX



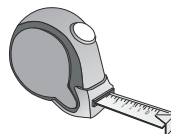
Silicone sealant



Spirit Level



Phillips Screwdriver



Tape measure



Pencil

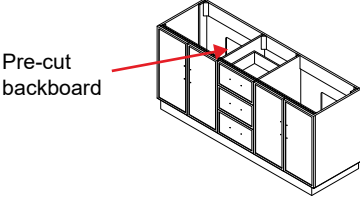


Electric Drill

# WC-7474-66-DBL Installation Guide

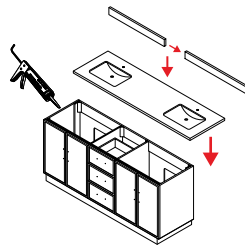
# WYNDHAM COLLECTION

## INSTALLATION INSTRUCTIONS

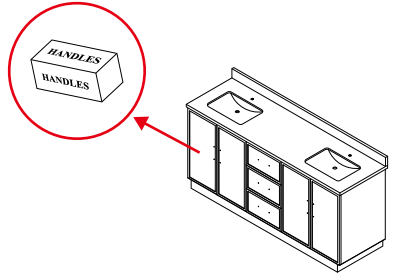


Pre-cut backboard

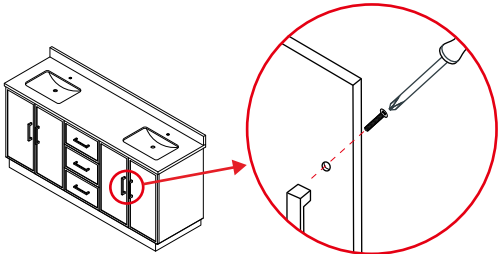
① Backboard is pre-cut for ease of installation for hot and cold valves and drains.



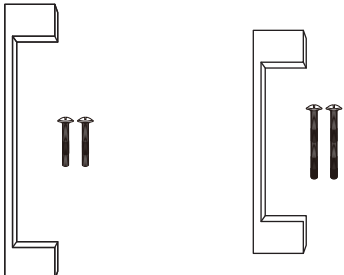
② Install the counter. Seal around the top of the cabinet with clear silicone sealant. Do not over apply. Allow to dry 24 hours for proper curing.



③ The handles are safely stored for transport in a box inside of the cabinet. Look inside the vanity for the box with your handles.



④ Unpack the handles and install them on the vanity. Do not over tighten when attaching.



Long handles are for doors

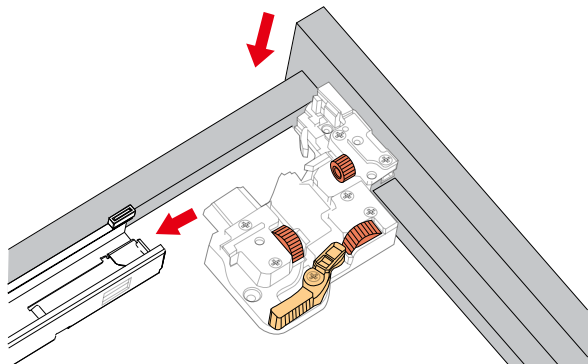
Short handles are for drawers

⑤ Short screws are for the door handles and long screws are for the drawer handles.

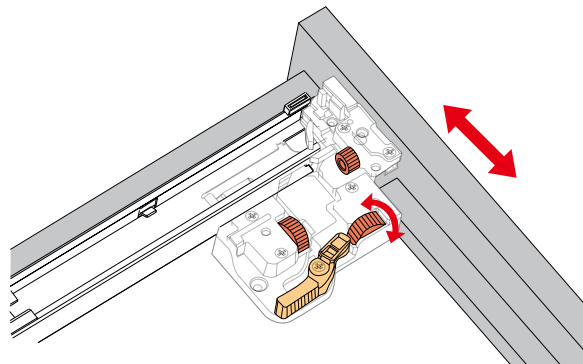
# WC-7474-66-DBL Installation Guide

# WYNDHAM COLLECTION

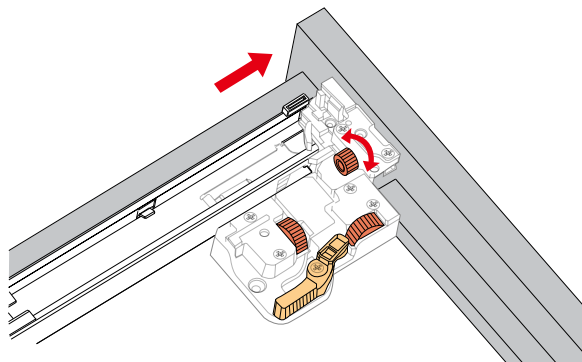
HOW TO ADJUST DRAWER SLIDES (if required)



Up and Down Adjustment



Side Adjustment



Depth Adjustment

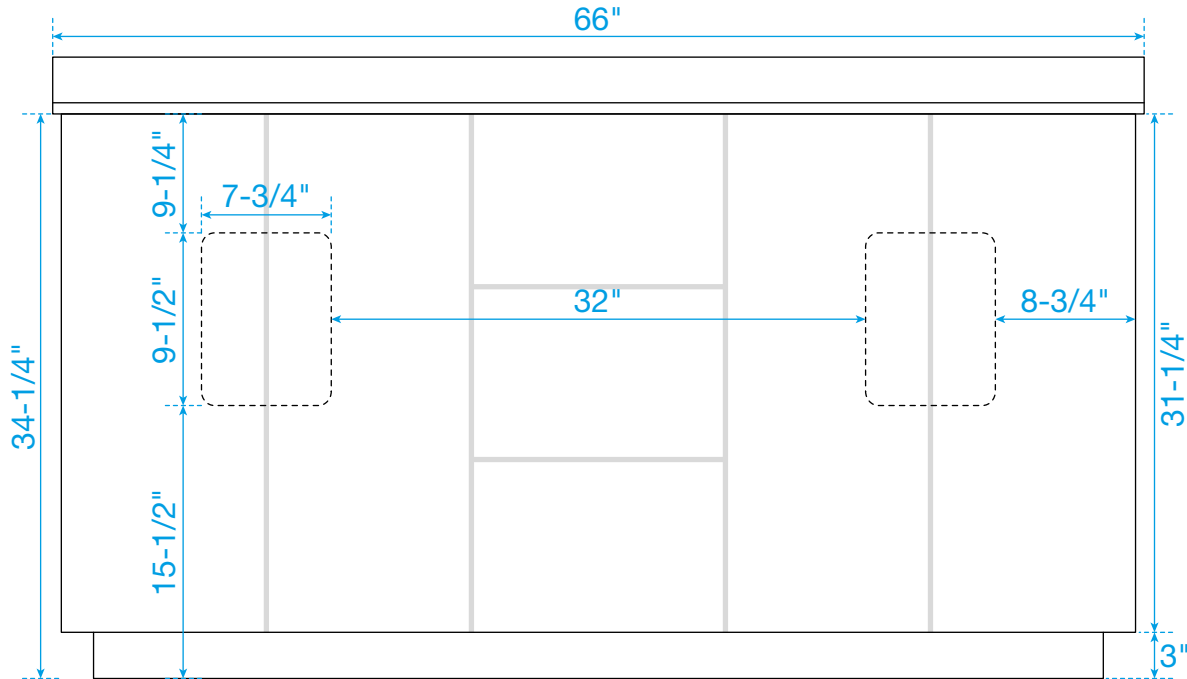


Scan the QR code with your phone to watch detailed video instructions or visit [www.wyndhamcollection.com/3dslides](http://www.wyndhamcollection.com/3dslides)

WC-7474-66-DBL  
Installation Guide

# WYNDHAM COLLECTION

## Backboard Cutouts



\*Note: All measurements are  $\pm 1/4$ ".

WC-7474-66-DBL  
Installation Guide