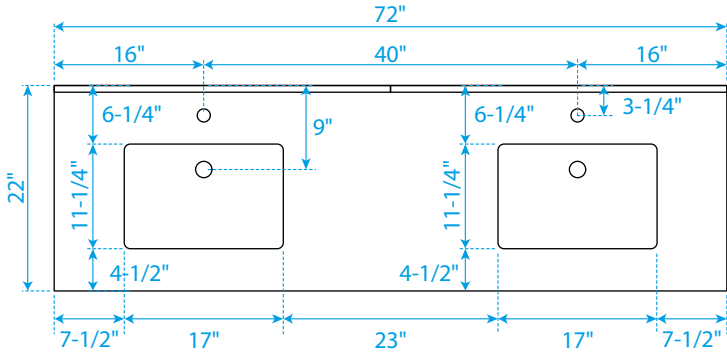
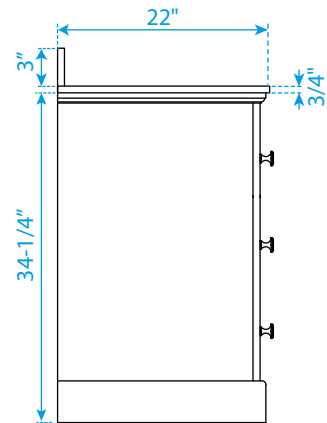
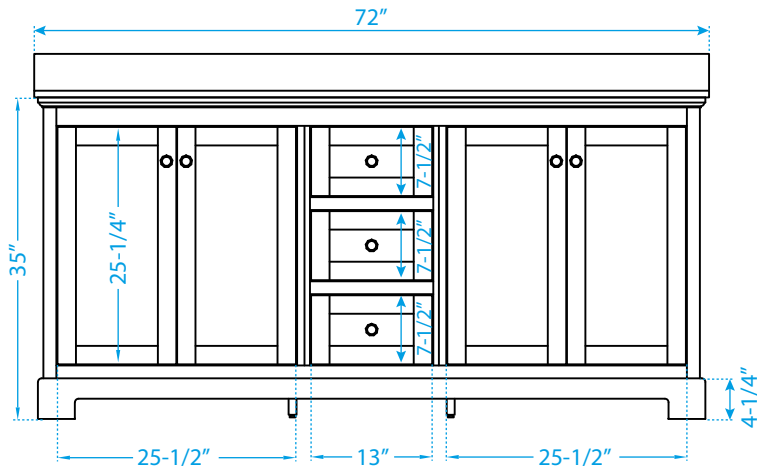
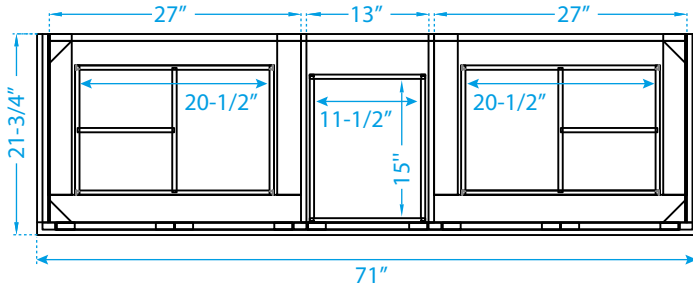
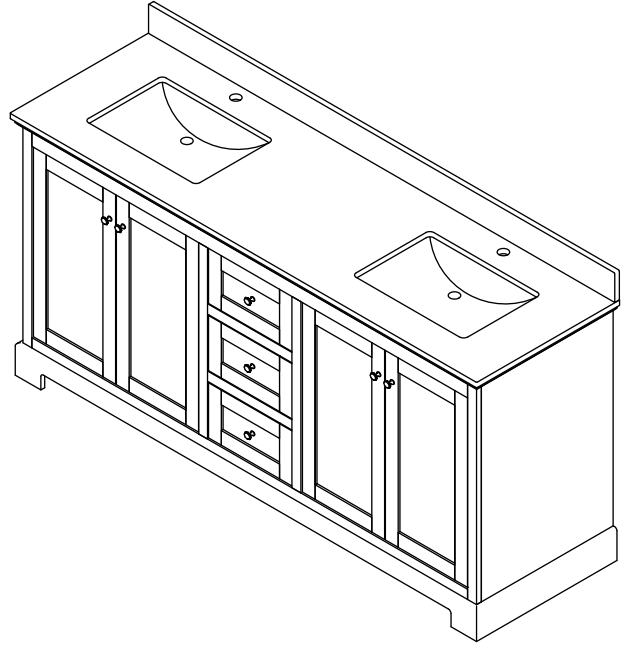


# WYNDHAM COLLECTION



TOP VIEW OF VANITY CABINET



\*Note: Countertop comes attached to the vanity cabinet.

\*Note: Due to high probability of breakage, the backsplash comes in two pieces, cut from the same piece. All measurements are  $\pm 1/4"$ .

## WC-4040-72-DBL