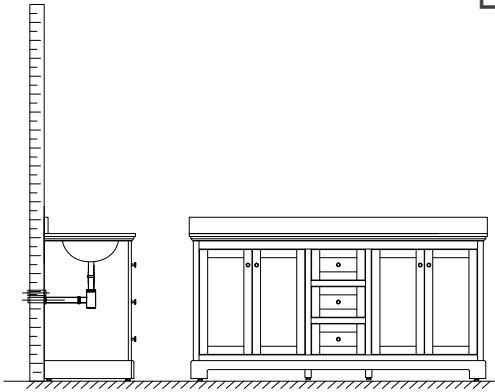


# WYNDHAM COLLECTION

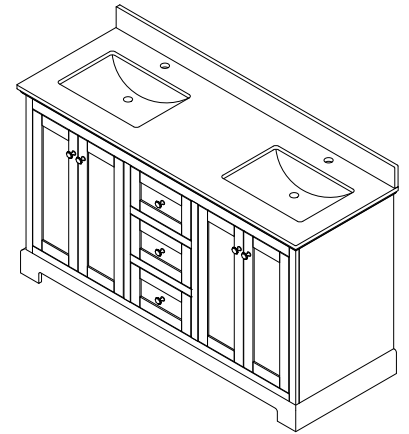


- Prior to installation please check received items against the "Packing List". Please report any missing items to your retailer immediately.

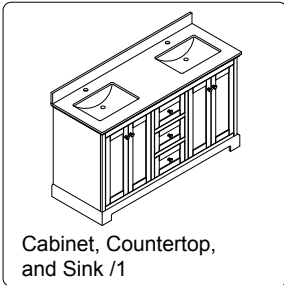
- Protect all surfaces from sharp objects, high heat sources, direct prolonged sunlight and chemical hazards.

- Professional installation recommended.

- Backsplash comes in two pieces.

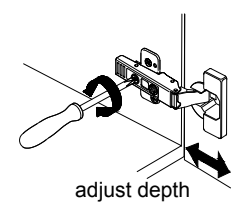
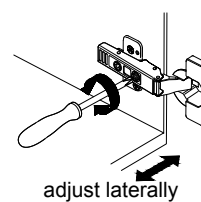
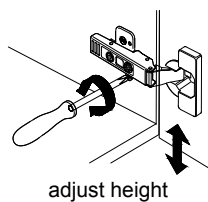
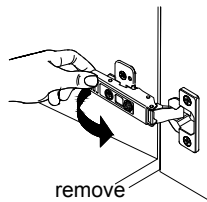
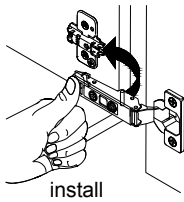


## PACKING LIST (Not all components may be included, depending upon your purchase)

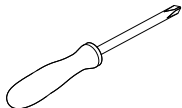


Cabinet, Countertop,  
and Sink /1

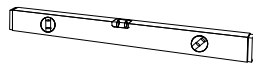
## HOW TO ADJUST HINGES (if required)



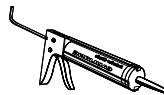
## REQUIRED TOOLS NOT IN BOX



Phillips Screwdriver



Spirit Level

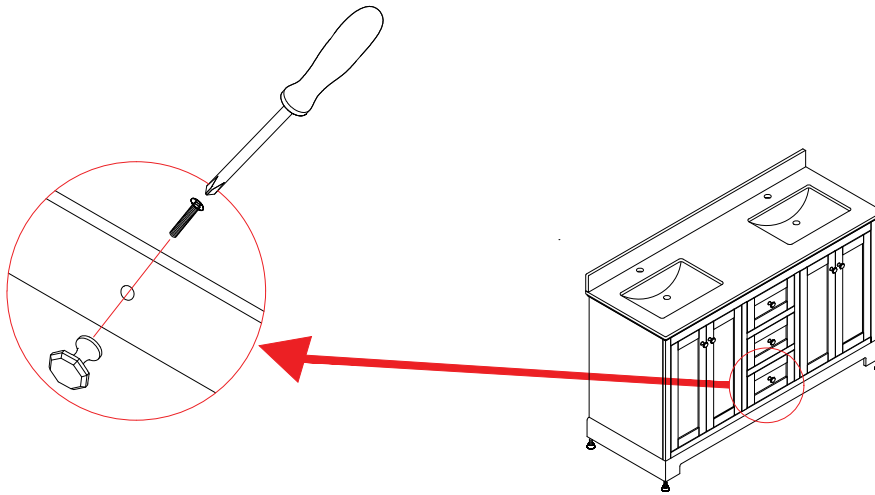


Silicone sealant

# WC-4040-72-DBL Installation Guide

# WYNDHAM COLLECTION

## INSTALLATION INSTRUCTIONS



1 - Remove the handles from inside the cabinet doors and drawers and reinstall on the outside. Do not over tighten when reattaching.

WC-4040-72-DBL  
Installation Guide