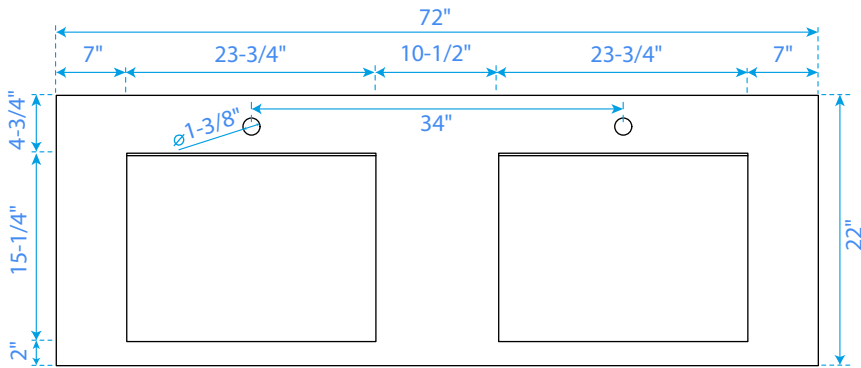
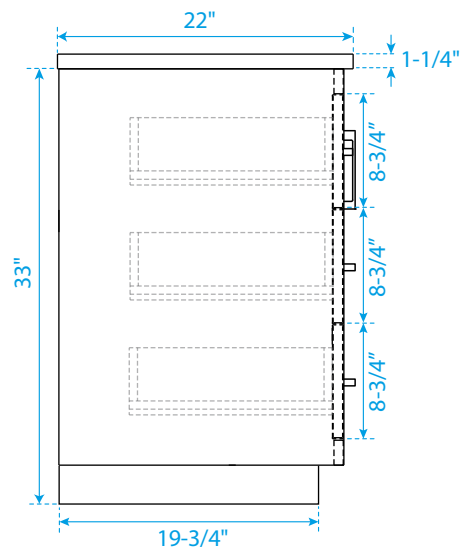
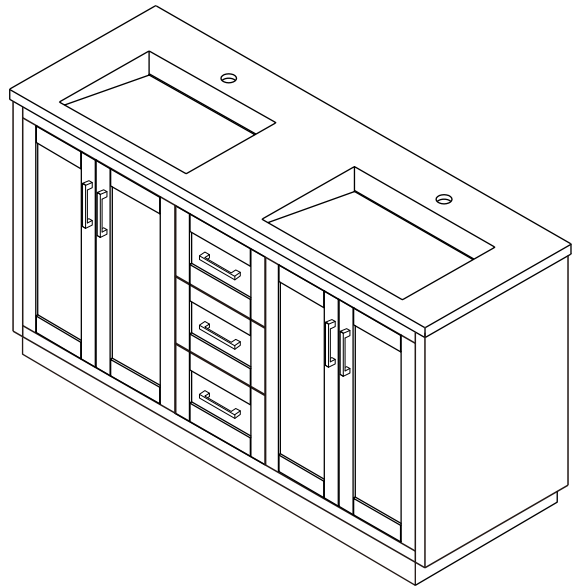
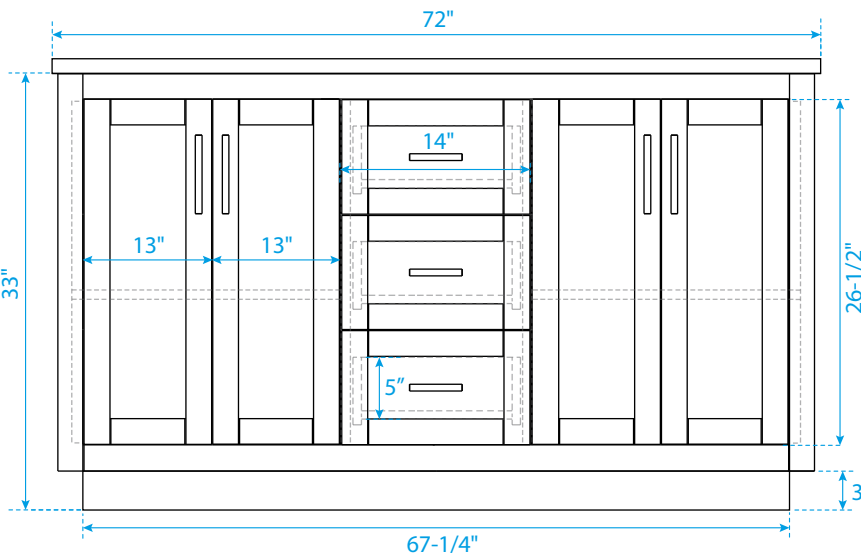
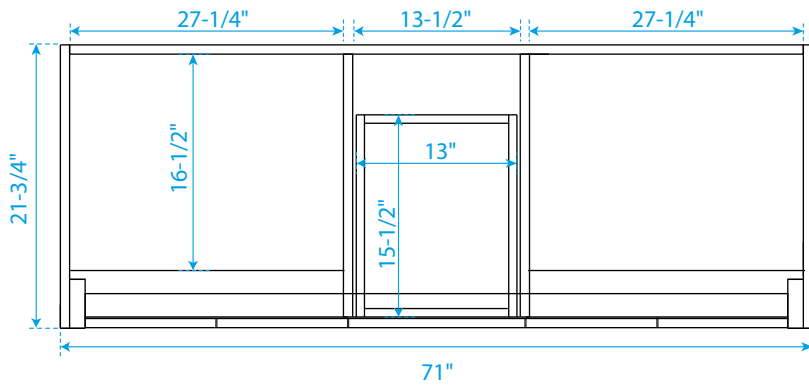


# WYNDHAM COLLECTION



TOP VIEW OF VANITY CABINET



\*Note: Due to high probability of breakage, the backsplash comes in two pieces, cut from the same piece. All measurements are  $\pm 1/4$ ".

**WC-2929-72-DBL**  
with integrated sinks