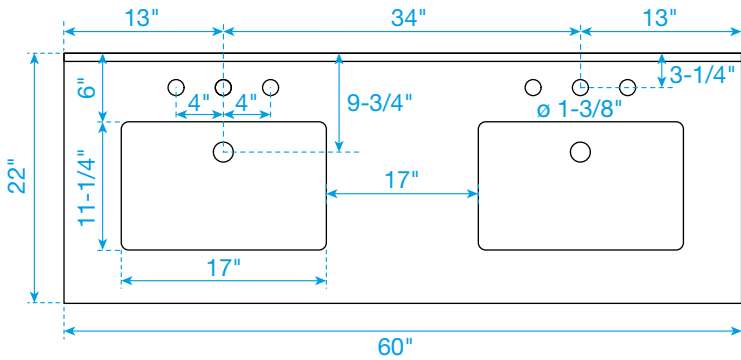
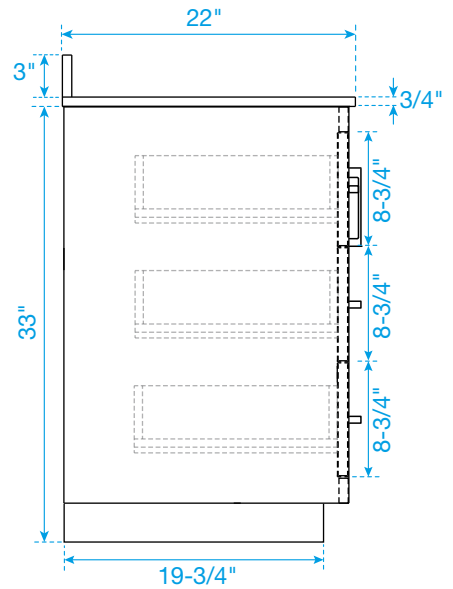
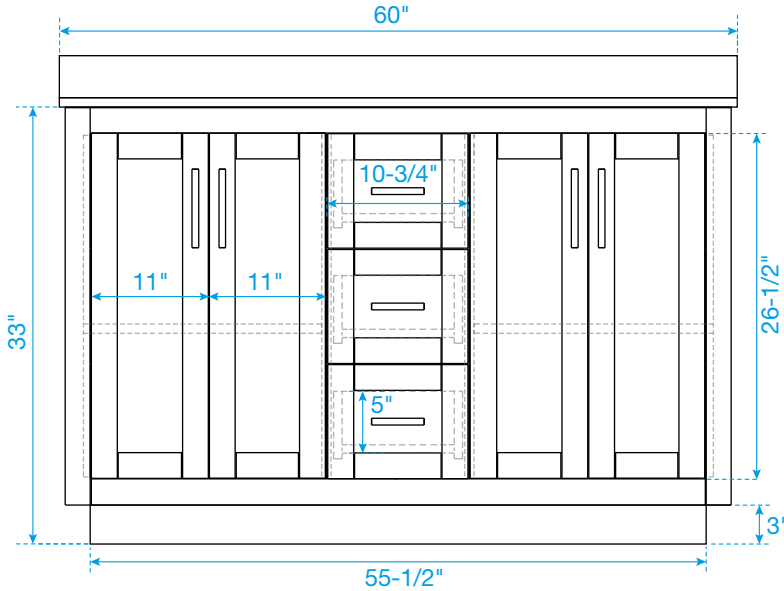
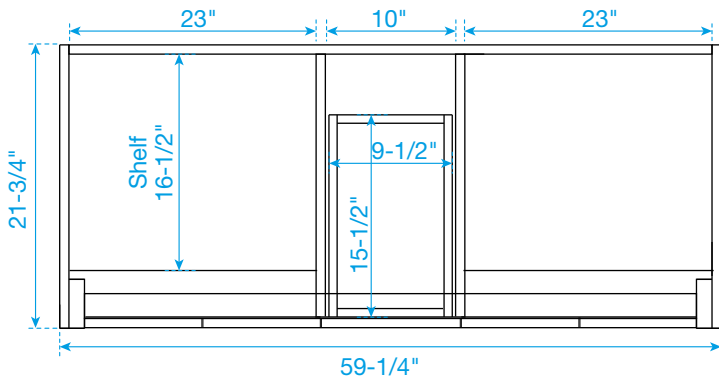
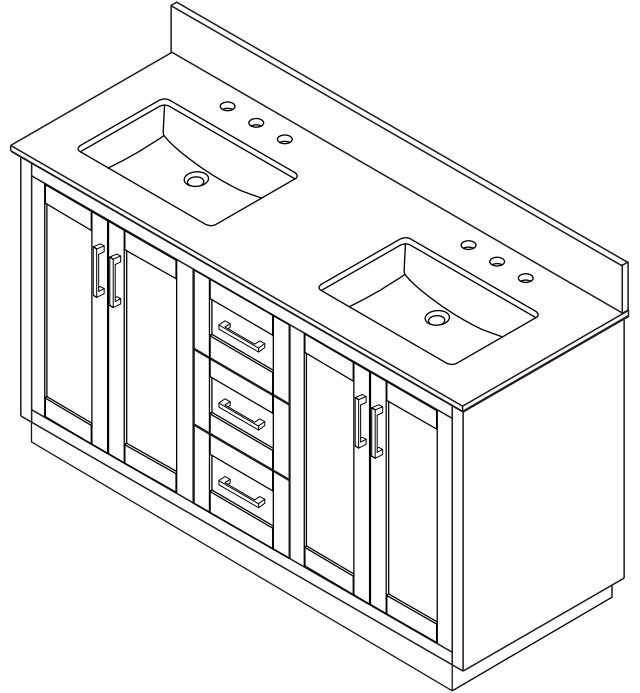


# WYNDHAM COLLECTION



TOP VIEW OF VANITY CABINET



\*Note: All measurements are  $\pm 1/4$ ".

WC-2929-60-DBL  
Quartz