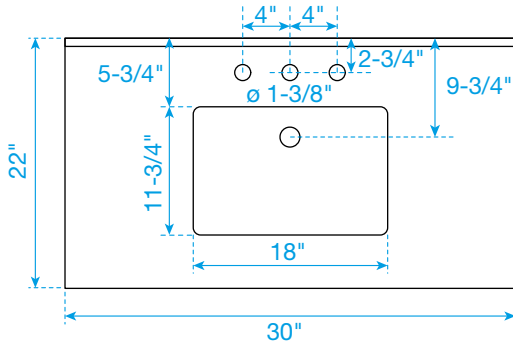
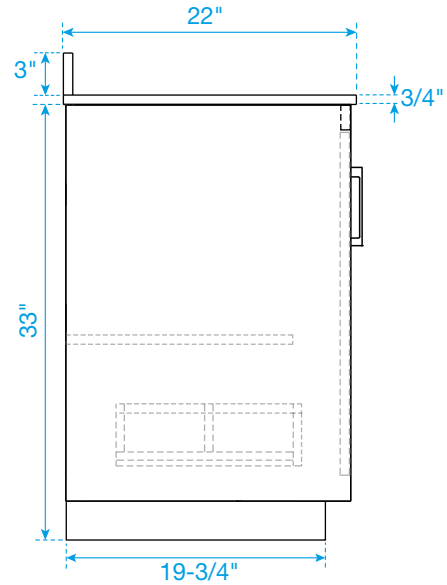
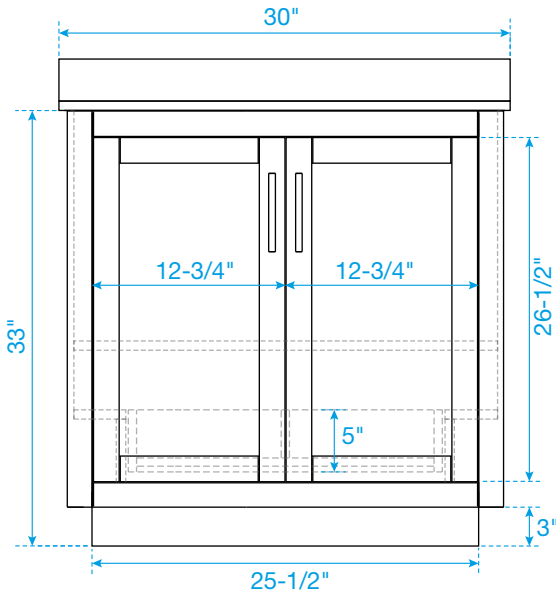
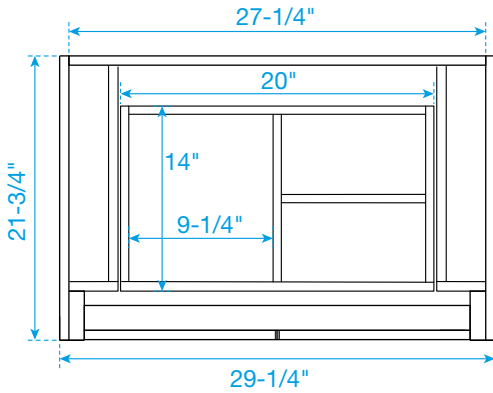
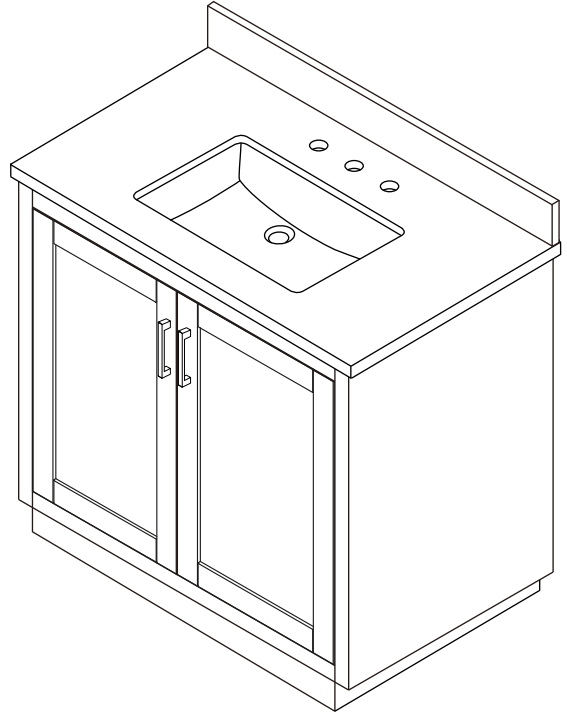


WYNDHAM COLLECTION



TOP VIEW OF VANITY CABINET



*Note: All measurements are $\pm 1/4\text{'}$.

WC-2929-30-SGL Quartz