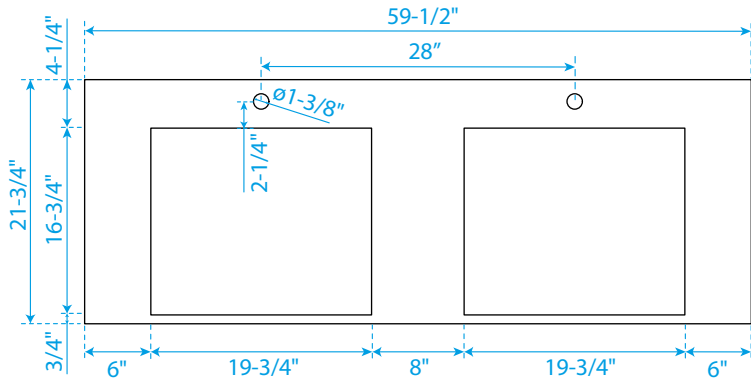
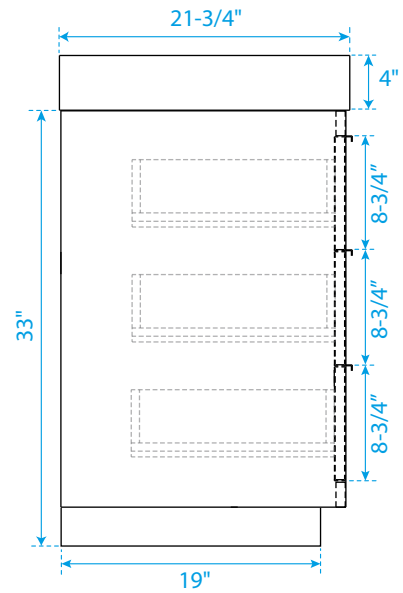
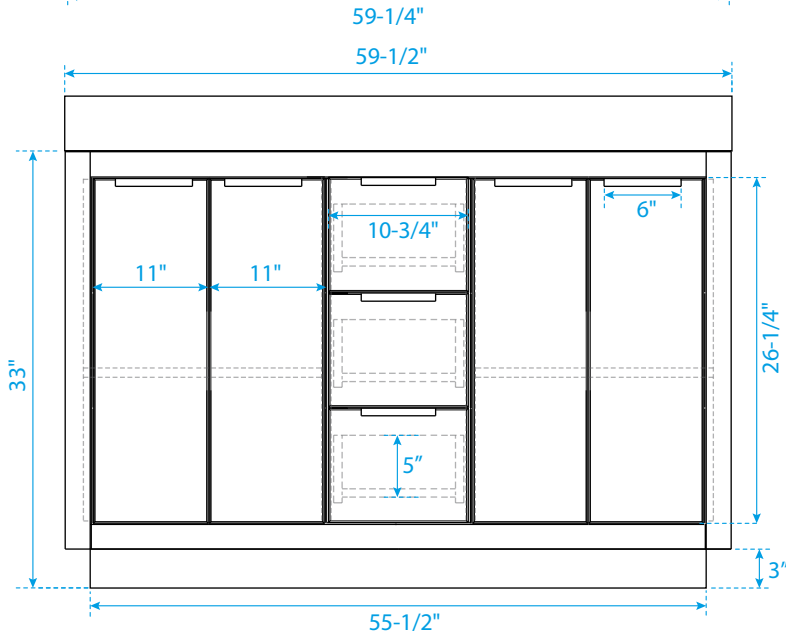
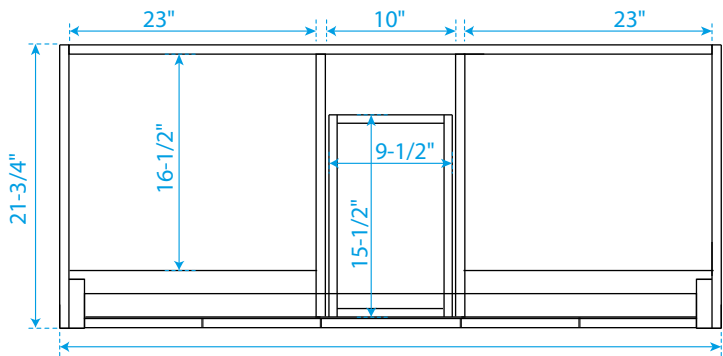
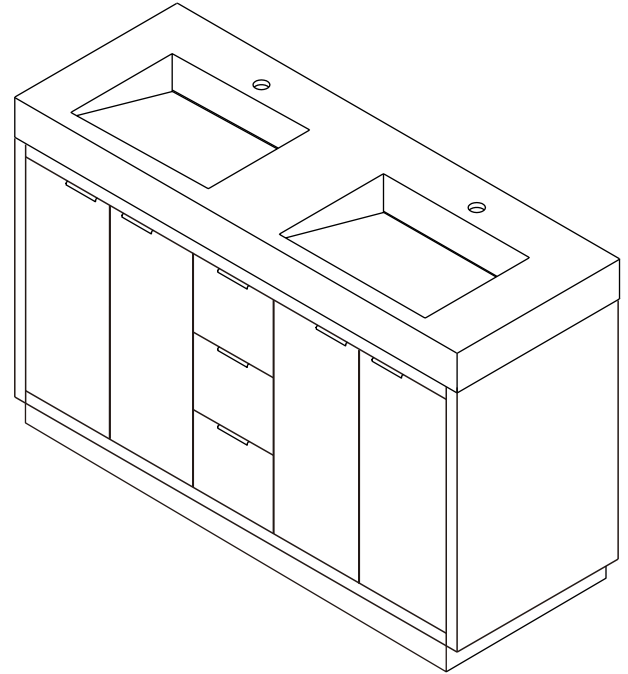


# WYNDHAM COLLECTION



TOP VIEW OF VANITY CABINET



\*Note: All measurements are  $\pm 1/4"$ .

**WC-2828-60-DBL**  
with integrated sinks