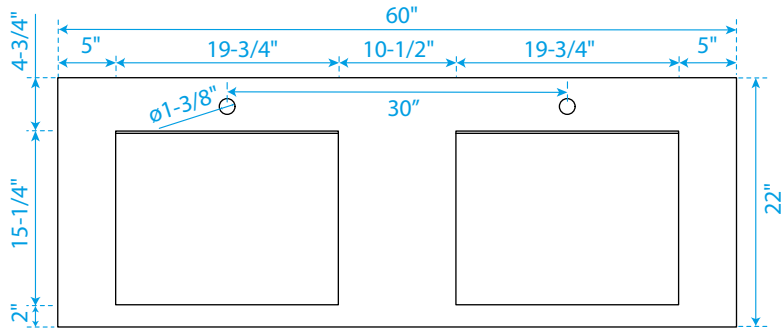
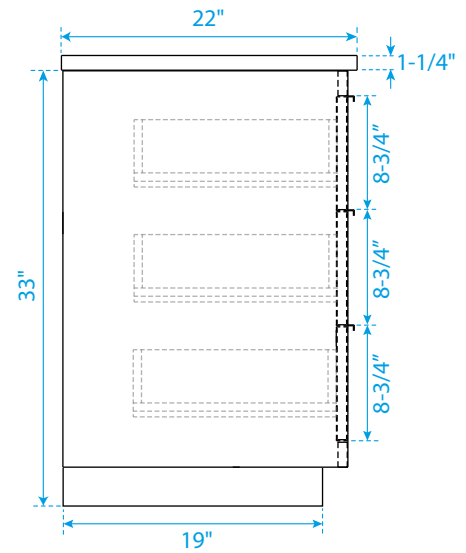
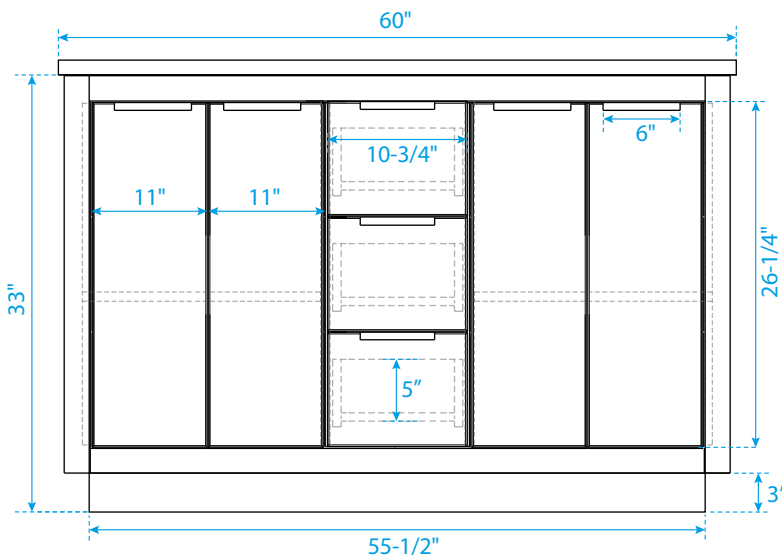
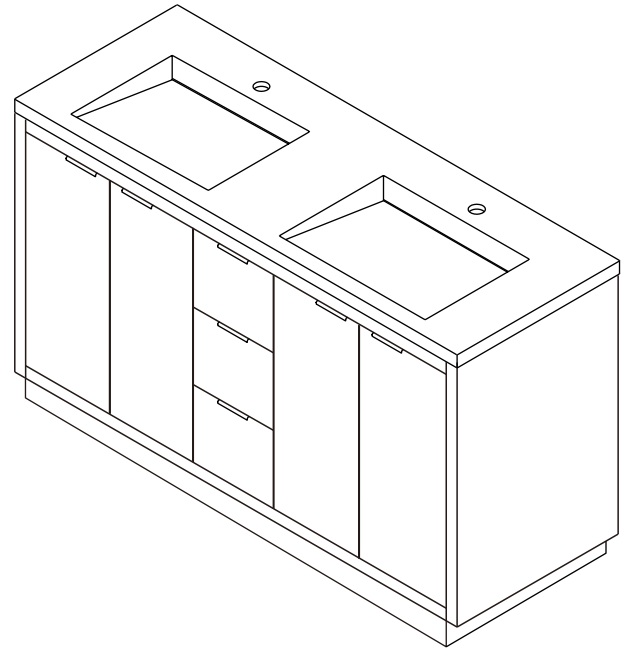
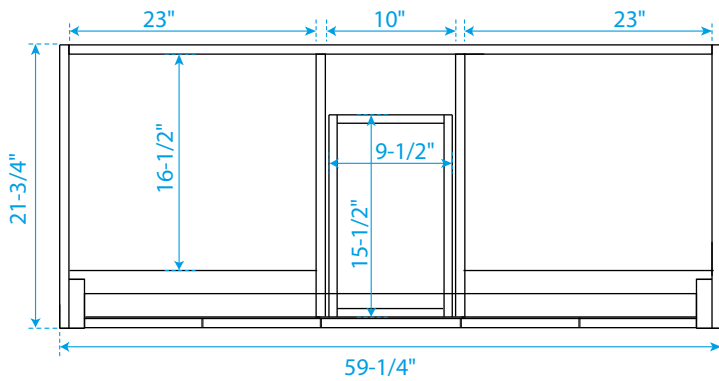


WYNDHAM COLLECTION



TOP VIEW OF VANITY CABINET



*Note: All measurements are $\pm 1/4"$.

WC-2828-60-DBL
with integrated sinks