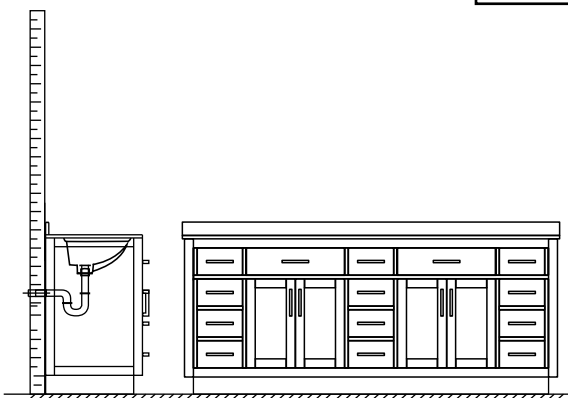
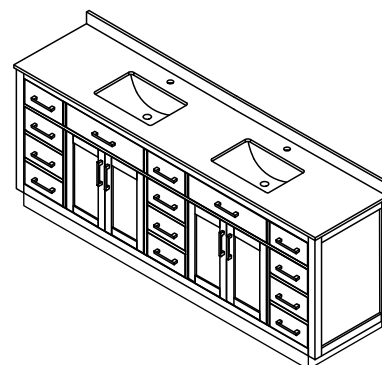


# WYNDHAM COLLECTION

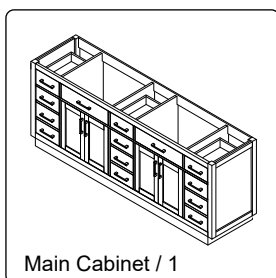
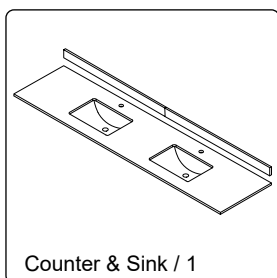


- Prior to installation please check received items against the "Packing List". Please report any missing items to your retailer immediately.
- Protect all surfaces from sharp objects, high heat sources, direct prolonged sunlight and chemical hazards.
- Professional installation recommended.
- Backsplash comes in two pieces.

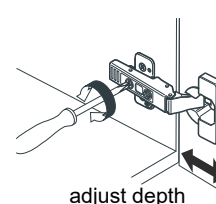
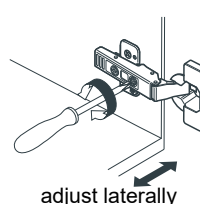
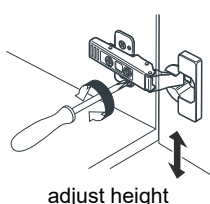
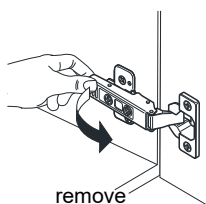
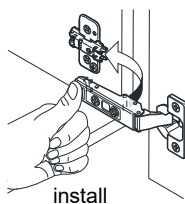


## PACKING LIST

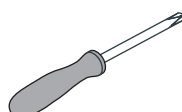
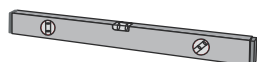
(Not all components may be included, depending upon your purchase)



## HOW TO ADJUST HINGES (if required)



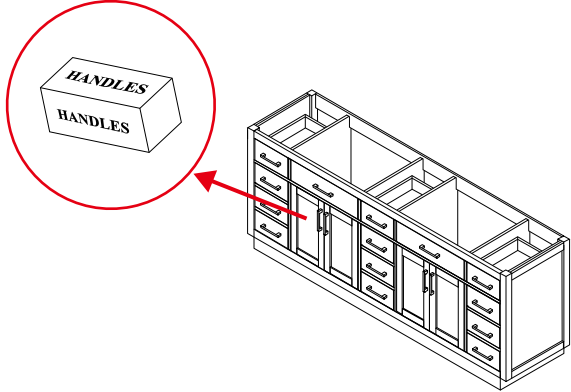
## REQUIRED TOOLS NOT IN BOX



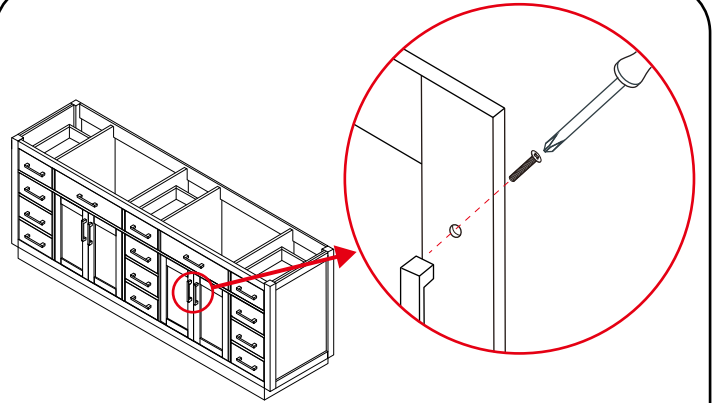
# WC-2626-84-DBL Installation Guide

# WYNDHAM COLLECTION

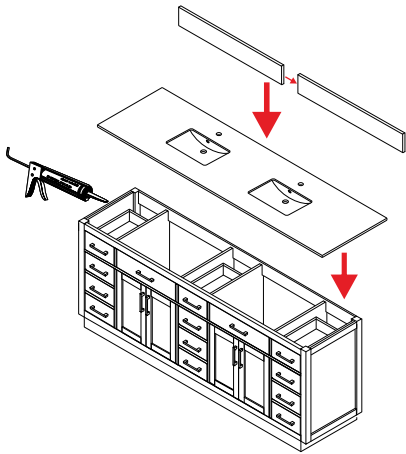
## INSTALLATION INSTRUCTIONS



- ① The handles are safely stored for transport in a box inside of the cabinet. Look inside the vanity for the box with your handles.



- ② Unpack the handles and install them on the vanity. Do not over tighten when attaching.



- ③ Install the counter. Seal around the top of the cabinet with clear silicone sealant. Do not over apply. Allow to dry 24 hours for proper curing.

WC-2626-84-DBL  
Installation Guide