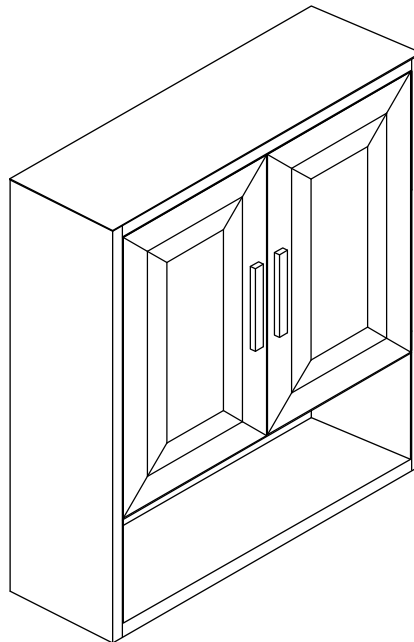
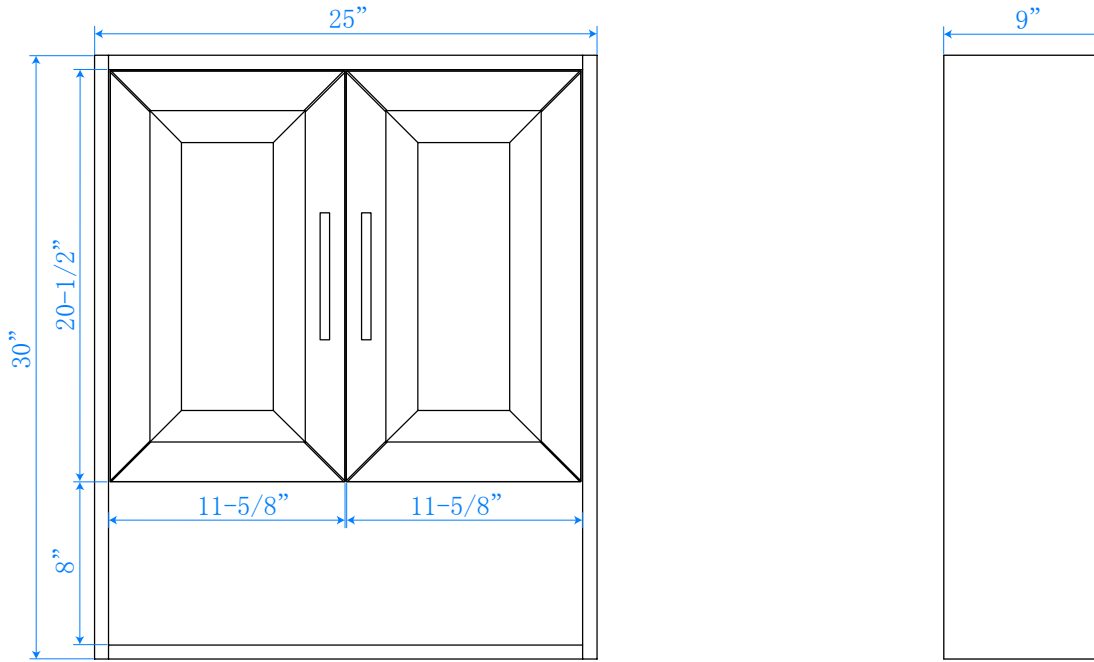


# WYNDHAM COLLECTION



Note: All Measurements are  $\pm 1/4"$

WC-2525-WALL-CABINET