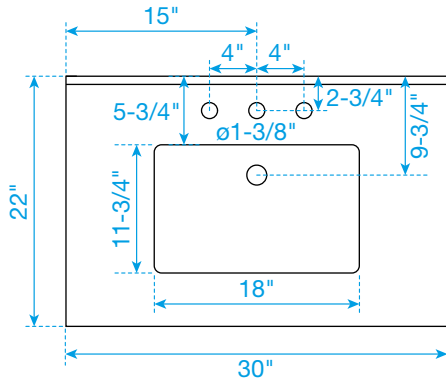
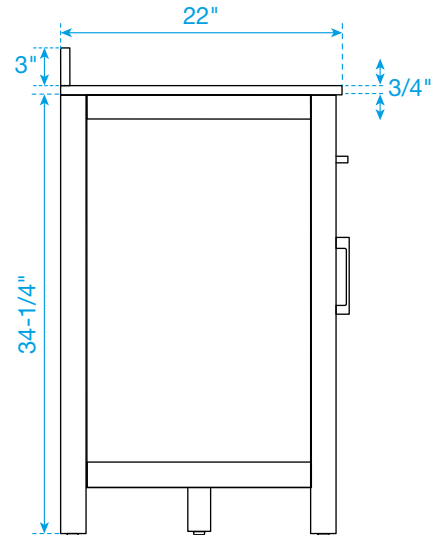
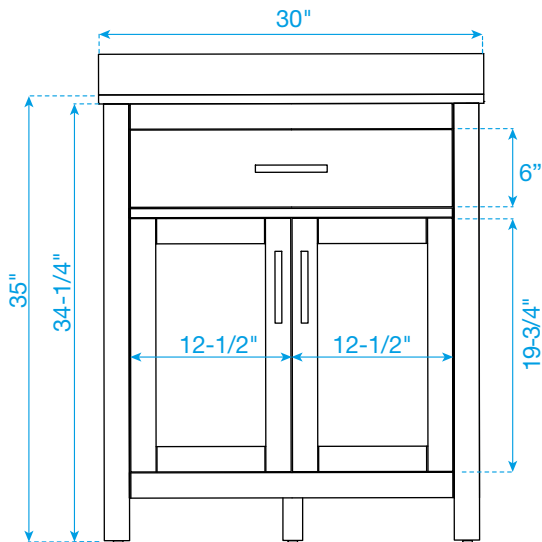
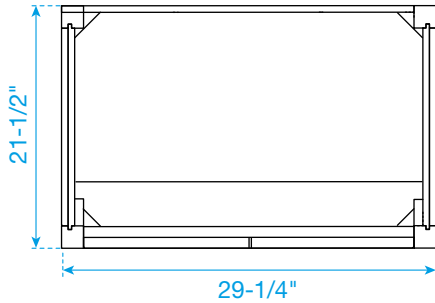
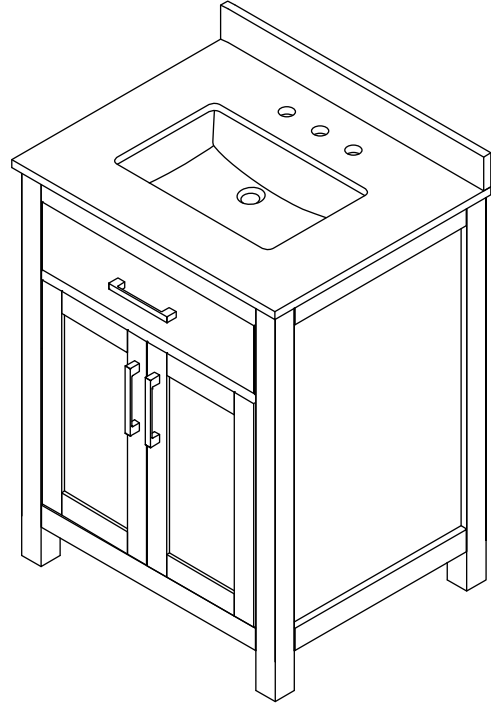


# WYNDHAM COLLECTION



TOP VIEW OF VANITY CABINET



\*Note: All measurements are  $\pm 1/4$ ".

## WC-2424-30-SGL Quartz