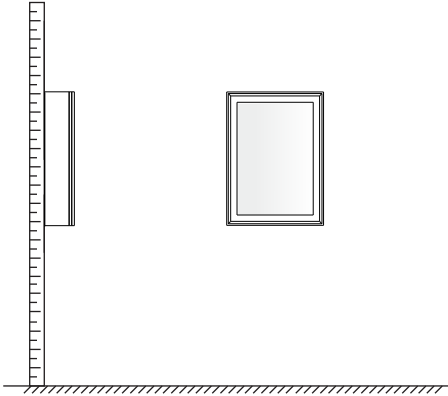
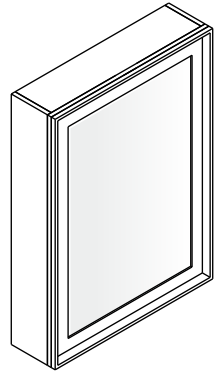


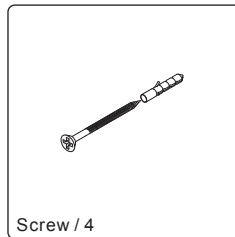
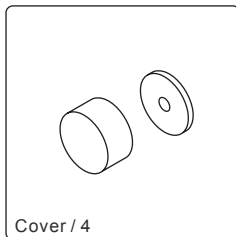
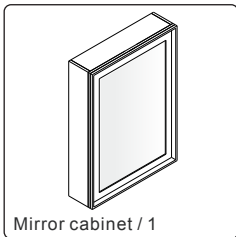
WYNDHAM COLLECTION



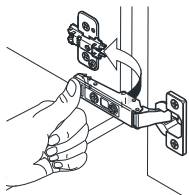
- Prior to installation please check received items against the "Packing List". Please report any missing items to your retailer immediately.
- Protect all surfaces from sharp objects, high heat sources, direct prolonged sunlight and chemical hazards.
- Professional installation recommended.



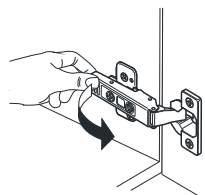
PACKING LIST



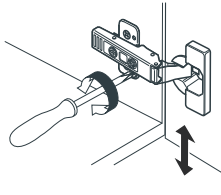
INSTALLATION AND ADJUSTMENT OF HINGES (if required)



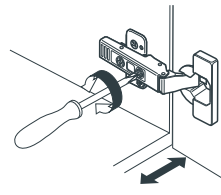
install



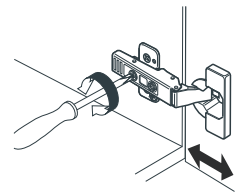
remove



adjust height

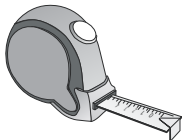


adjust laterally



adjust depth

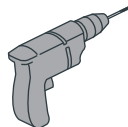
REQUIRED TOOLS NOT IN BOX



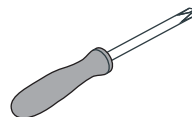
Tape measure



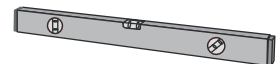
Pencil



Electric Drill

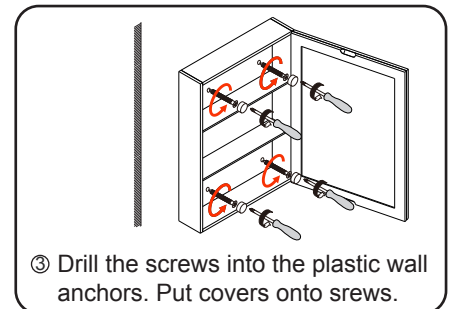
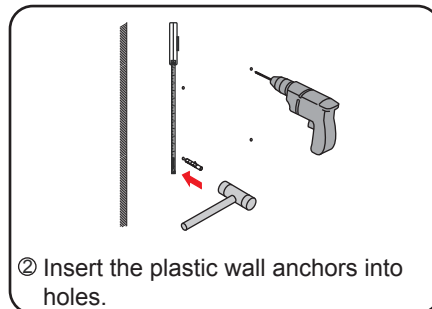
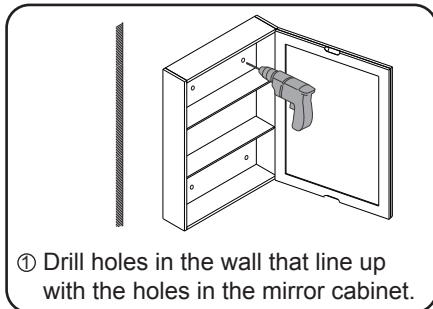


Phillips Screwdriver



Spirit Level

INSTALLATION INSTRUCTIONS



WC-2121-MC24
Installation Guide