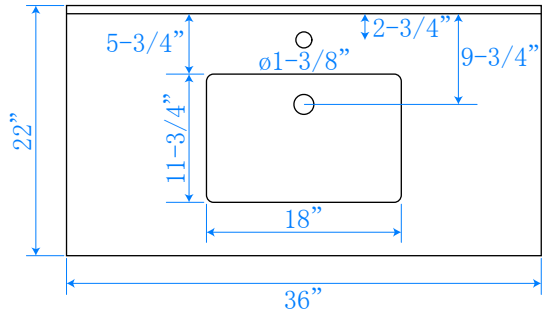
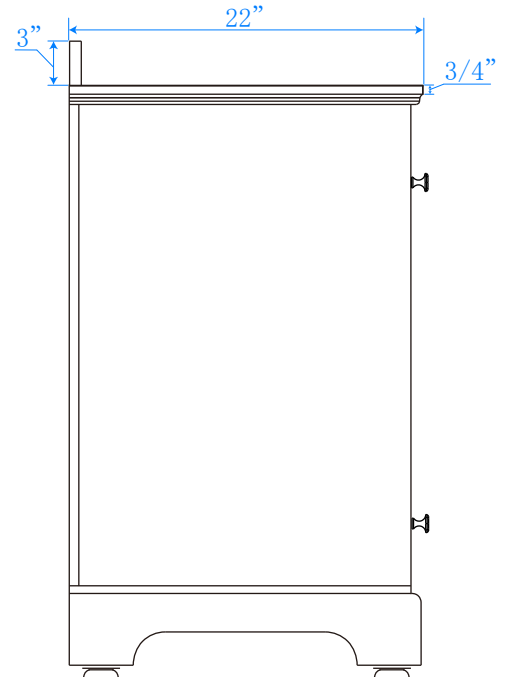
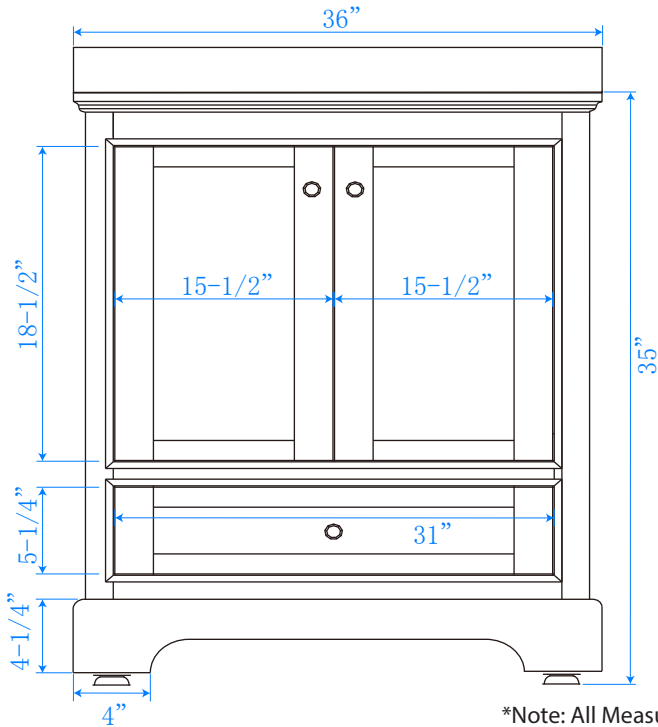
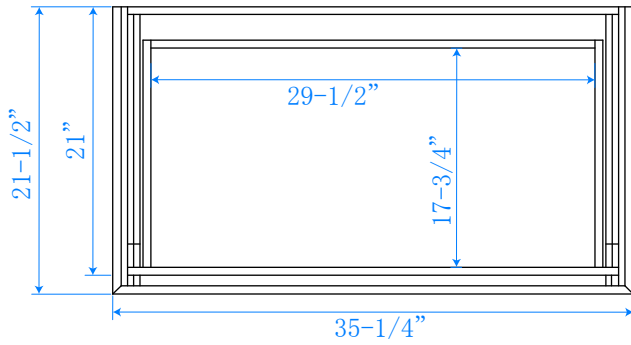
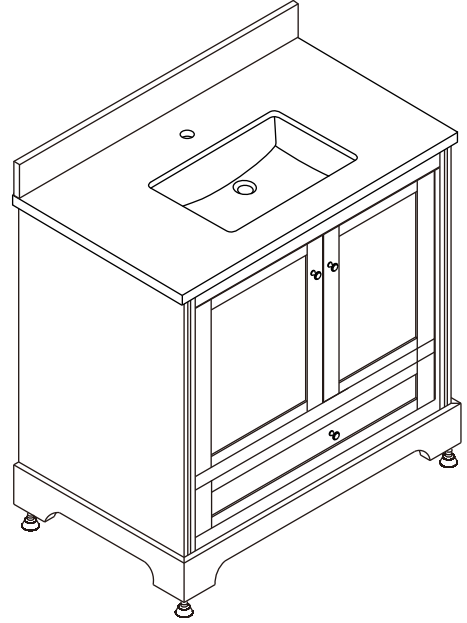


# WYNDHAM COLLECTION



TOP VIEW OF VANITY CABINET



\*Note: All Measurements are  $\pm 1/4$ "

WC-2020-36-SGL  
Quartz