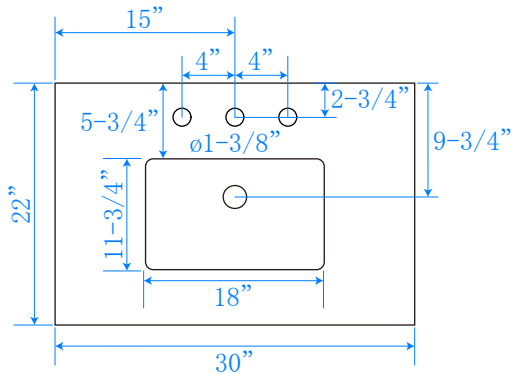
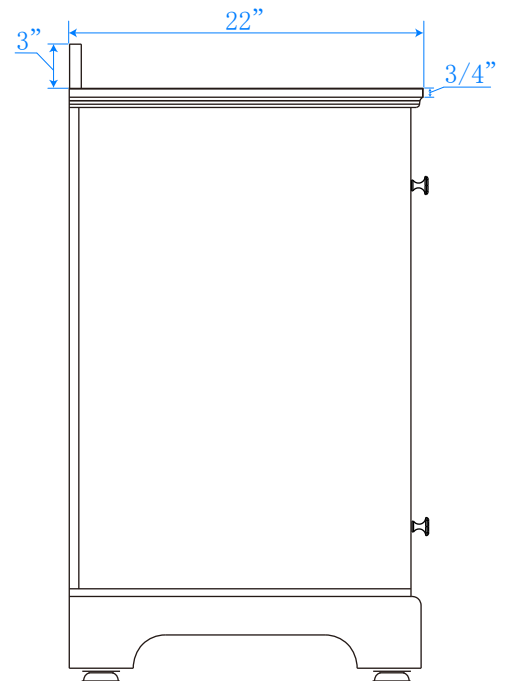
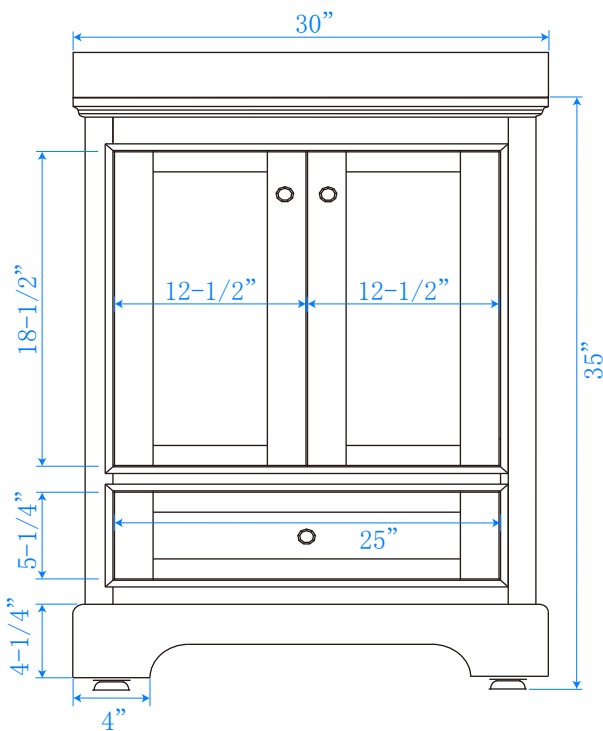
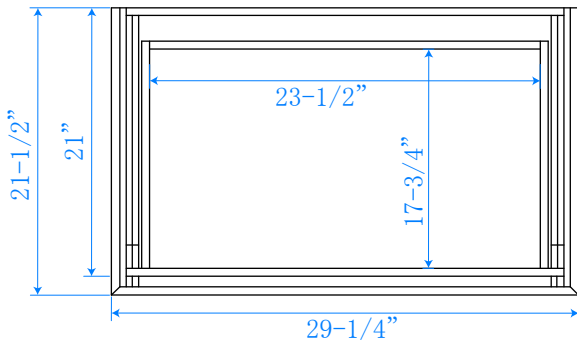
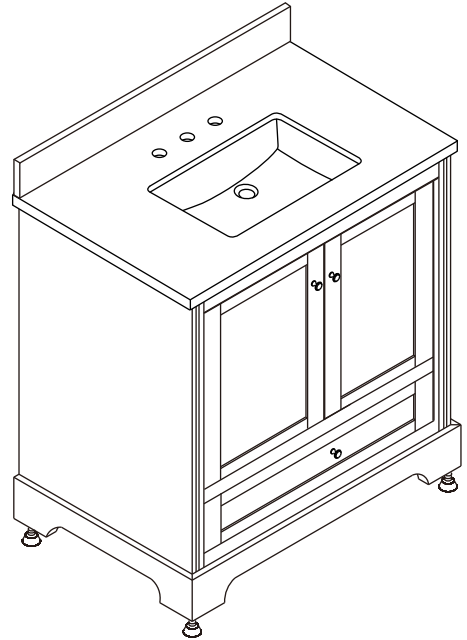


WYNDHAM COLLECTION



TOP VIEW OF VANITY CABINET



*Note: All Measurements are ± 1/4"

WC-2020-30-SGL
Quartz