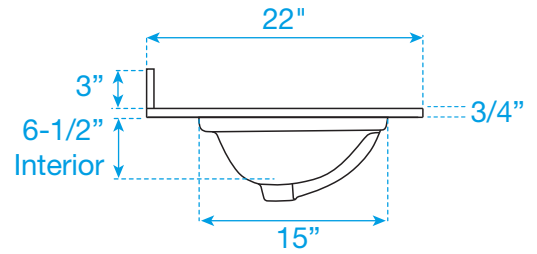
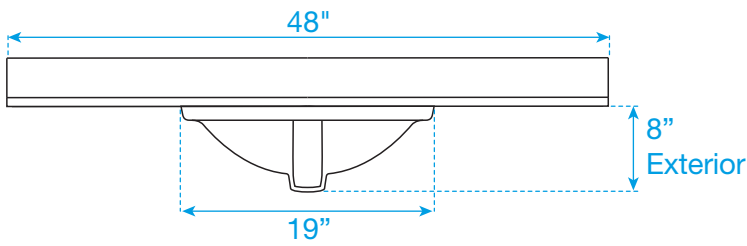
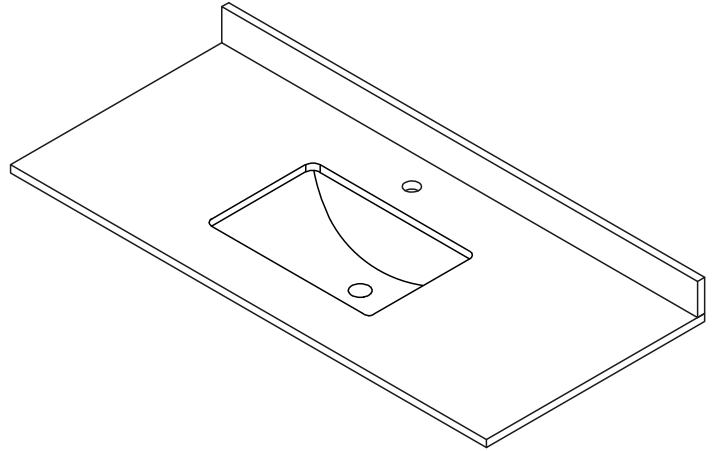
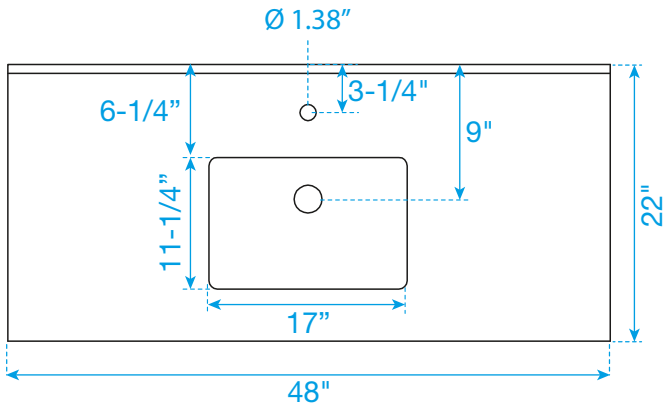


# WYNDHAM COLLECTION



Note: All Measurements are  $\pm 1/4''$ .

WC-1414-48-SGL-TOP