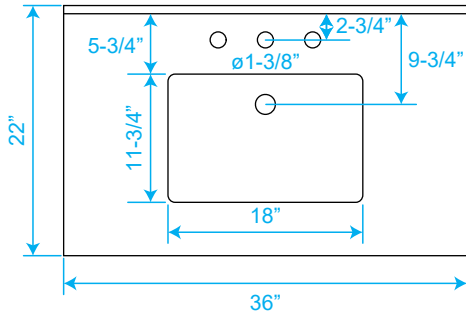
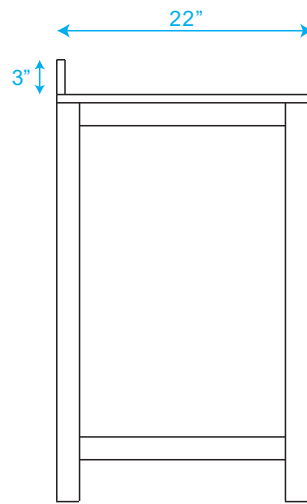
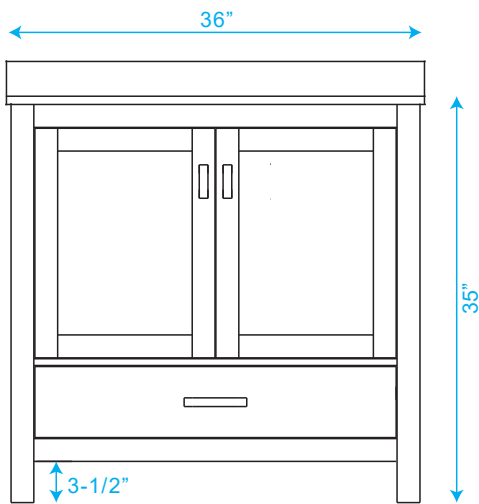
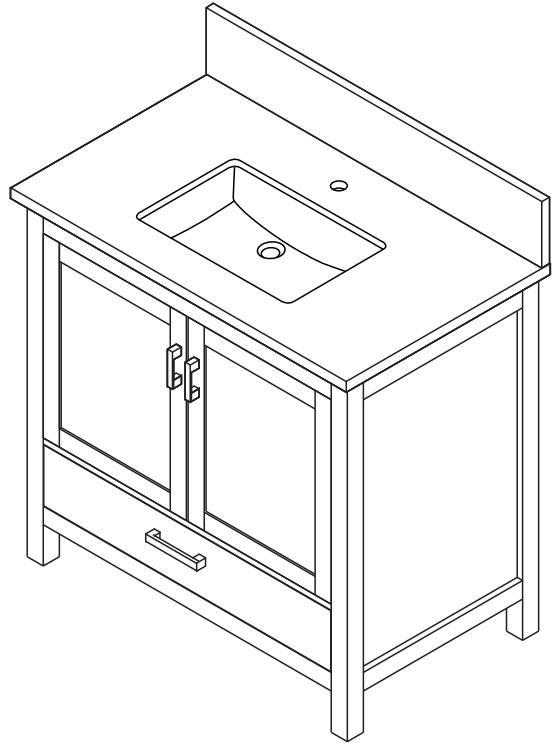
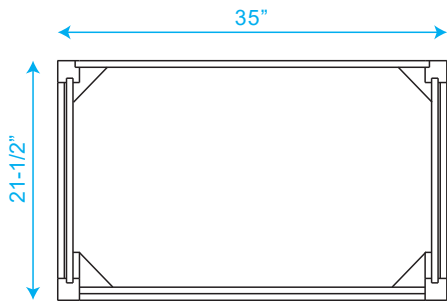


# WYNDHAM COLLECTION



TOP VIEW OF VANITY CABINET



\*Note: All measurements are  $\pm 1/4"$ .

WC-1414-36-SGL  
Quartz