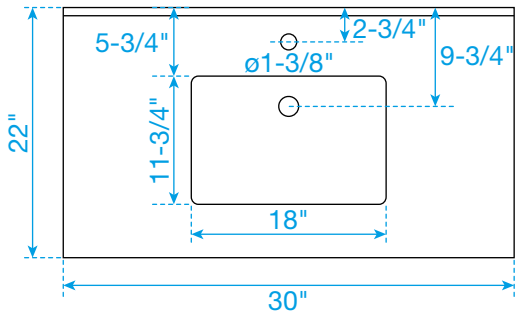
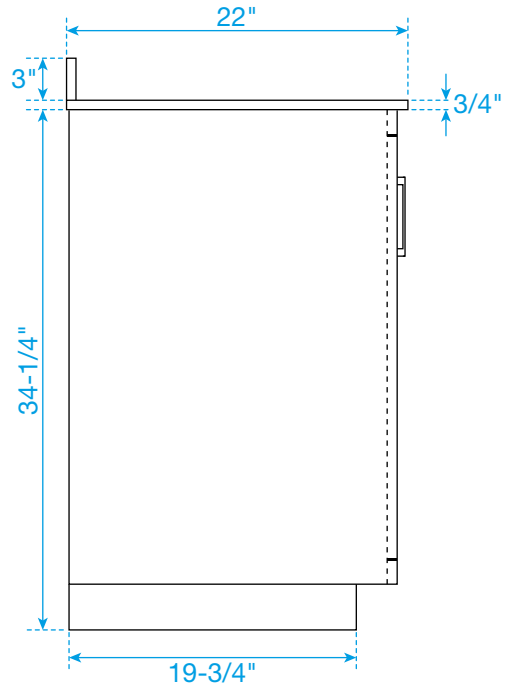
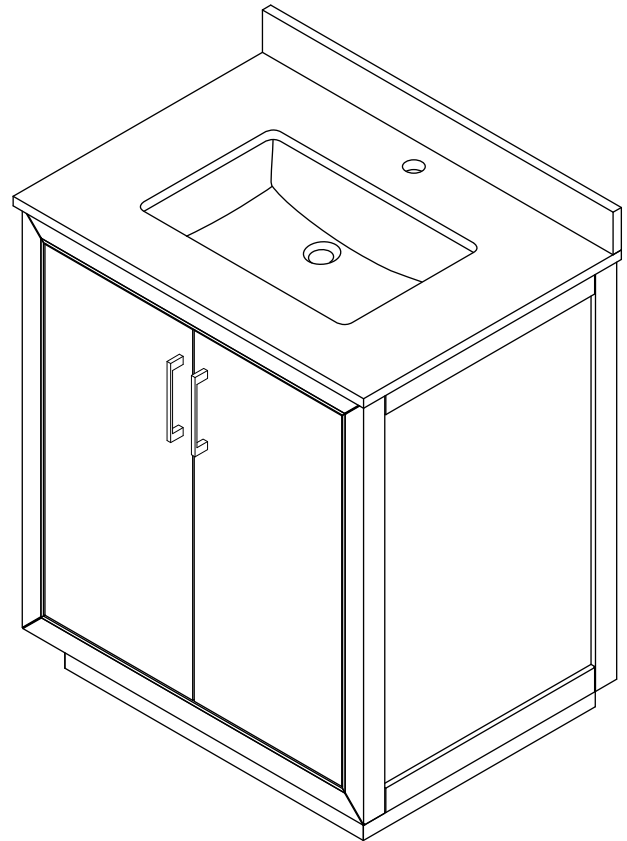
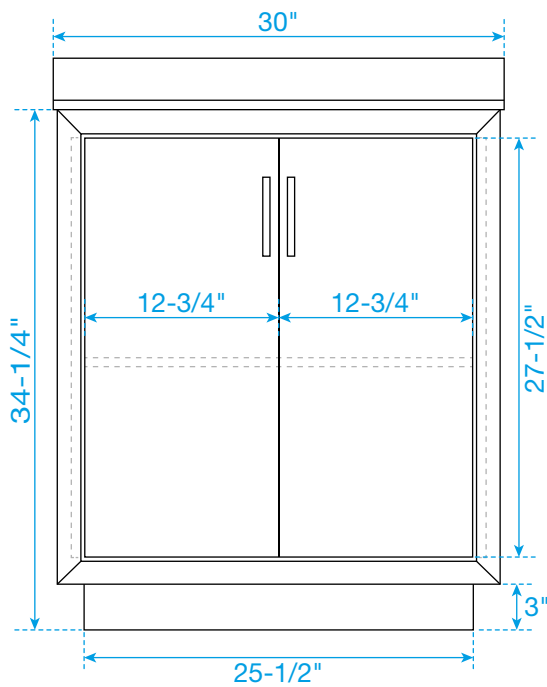
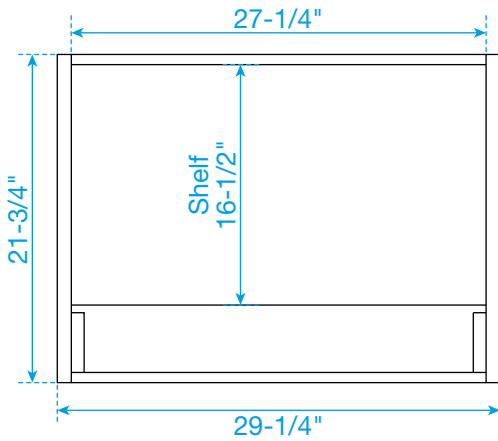


WYNDHAM COLLECTION



TOP VIEW OF VANITY CABINET



Note*: All measurements are $\pm 1/4"$.

WC-1111-30-SGL
Quartz