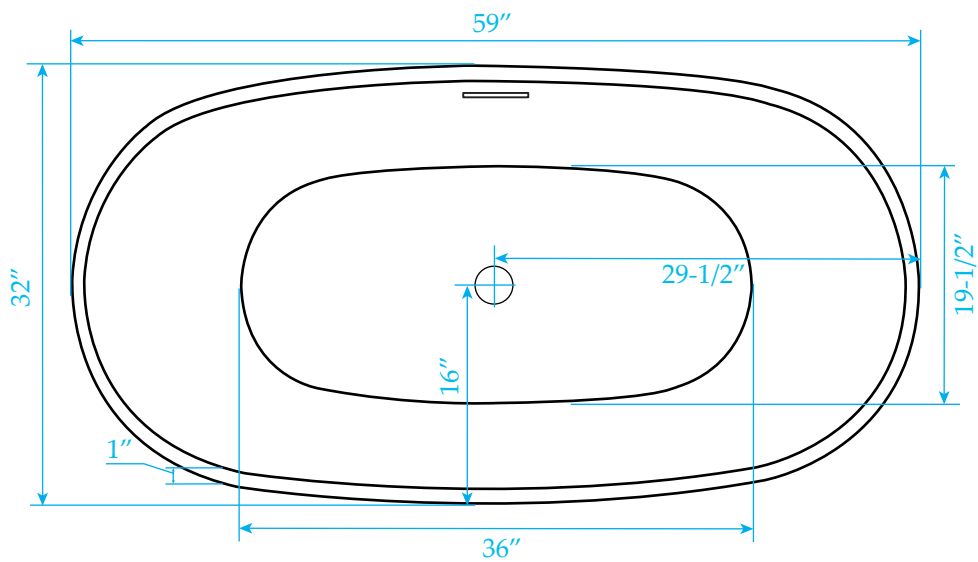
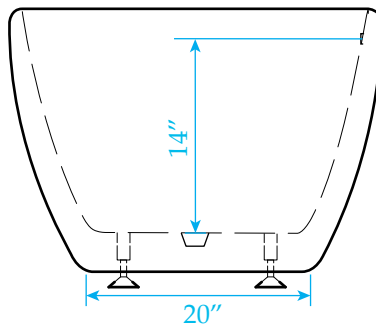
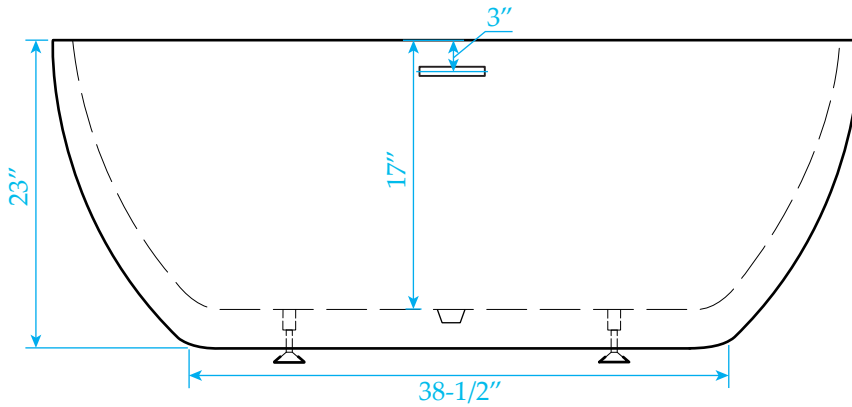


# WYNDHAM COLLECTION

Exterior Size - 59"L x 32"W x 23 "H  
Interior Size - 57"L x 30"W x 17"H  
Depth at Drain - 17"  
Drain To Overflow - 14"  
Maximum Fill - 63-1/2 Gallons  
Note - All Measurements are  $\pm 1/2$ "



WC-BTK1561-59