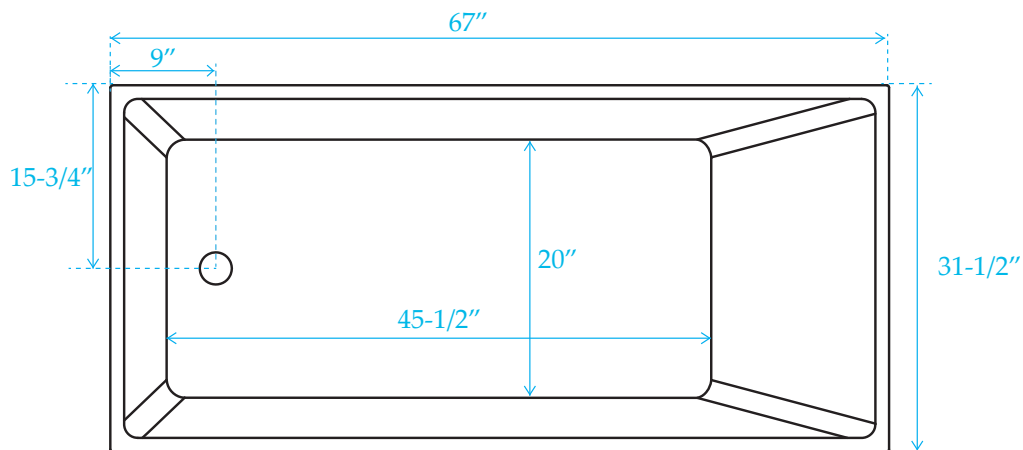
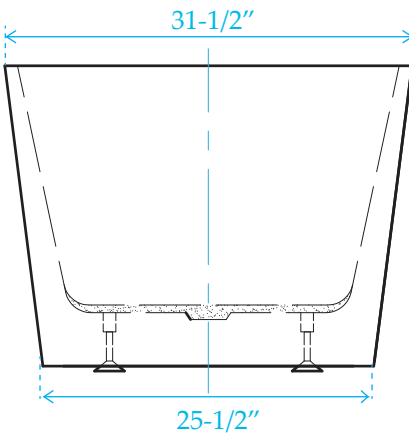
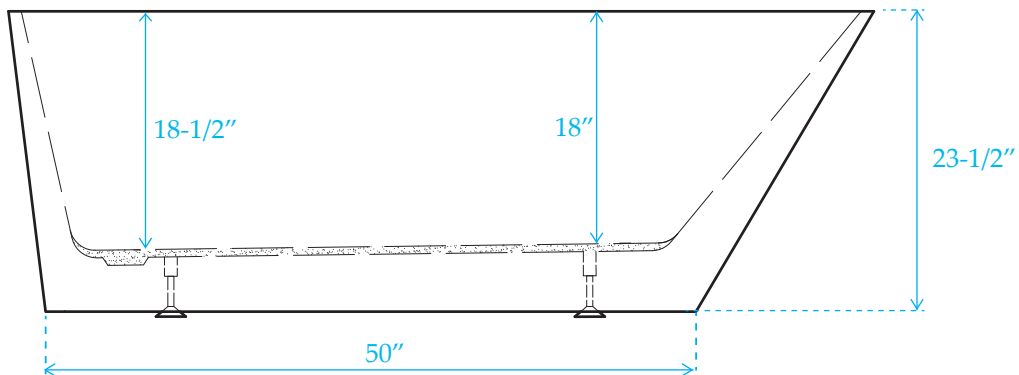


# WYNDHAM COLLECTION

Exterior Size - 67"L x 31-1/2"W x 23-1/2"H  
Interior Size - 64"L x 28-1/2"W x 18"H  
Depth at Drain - 18-1/2"  
Drain To Overflow - 16"  
Maximum Fill - 90 Gallons  
Note - All Measurements are  $\pm 1/2$ "



WC-BTK1501-67