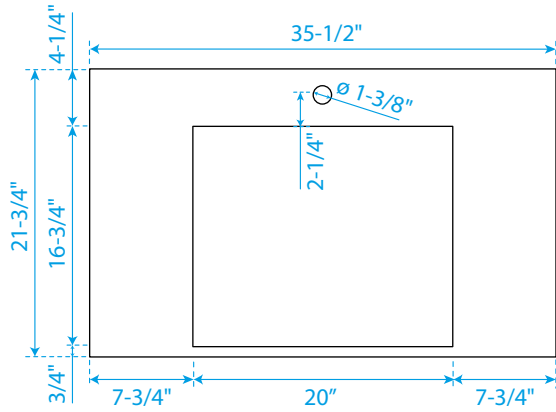
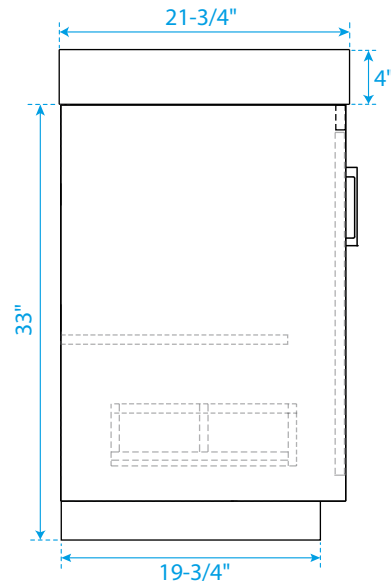
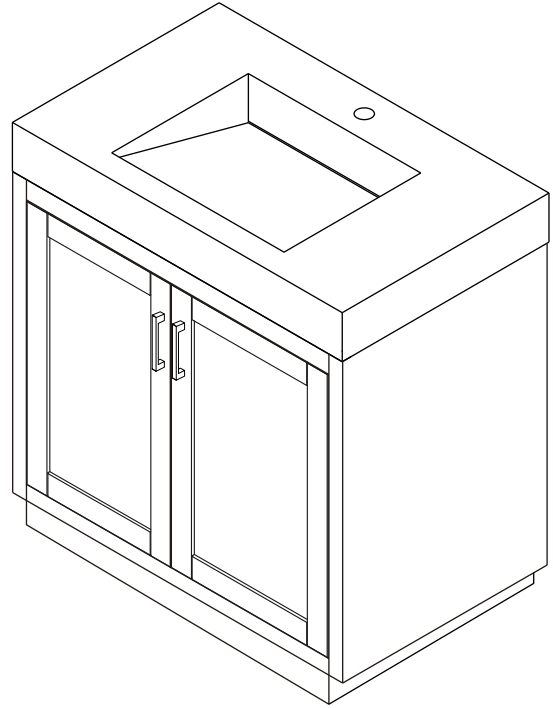
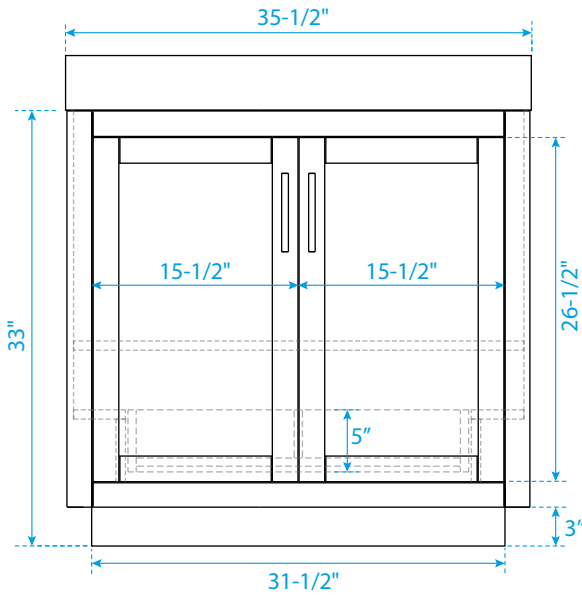
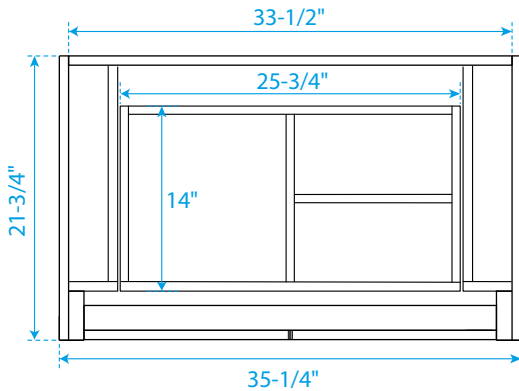


WYNDHAM COLLECTION



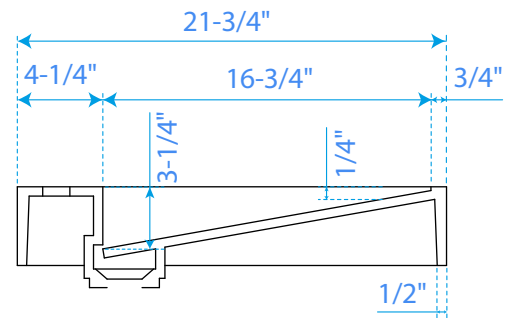
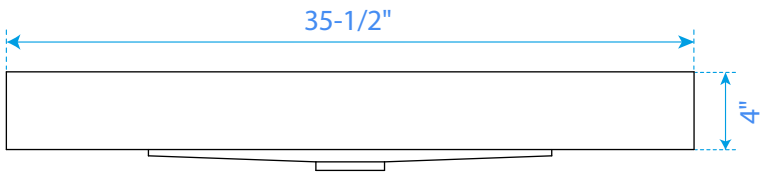
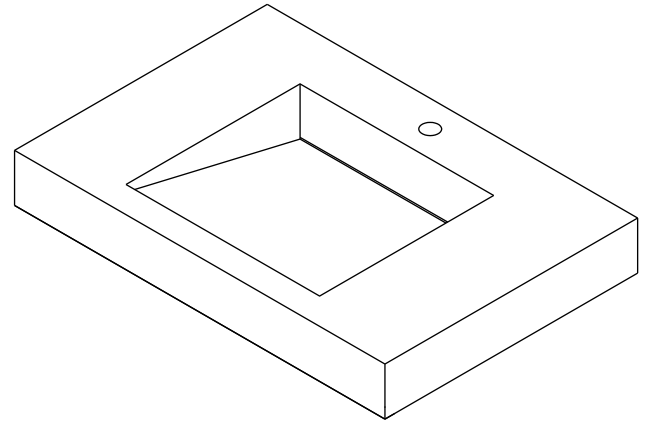
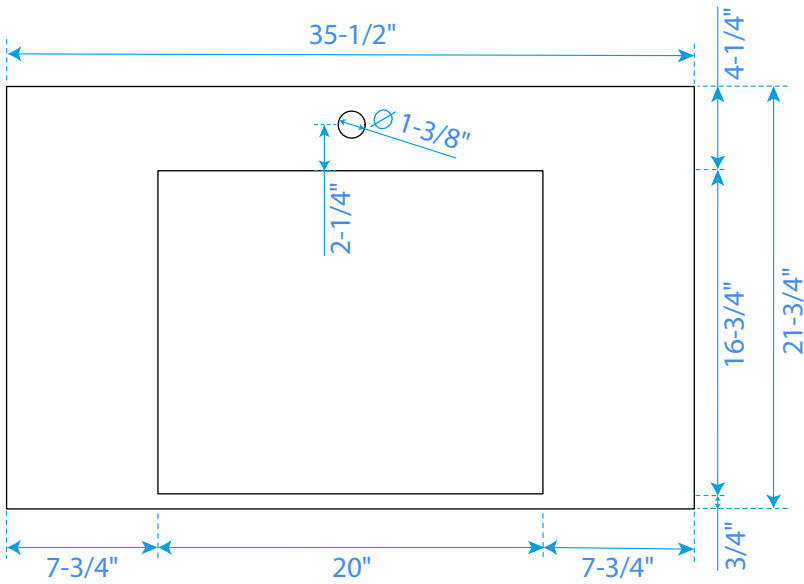
TOP VIEW OF VANITY CABINET



*Note: All measurements are $\pm 1/4''$.

WC-2929-36-SGL
with integrated sinks

WYNDHAM COLLECTION



*Note: All measurements are $\pm 1/4\text{"}$.

WC-KC4-36-SGL-TOP