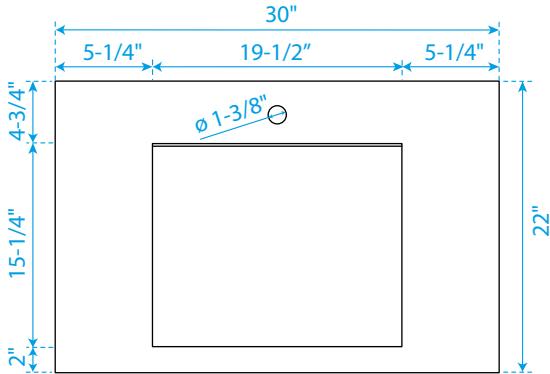
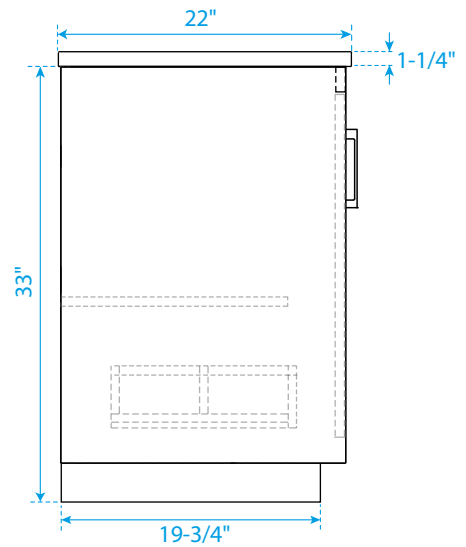
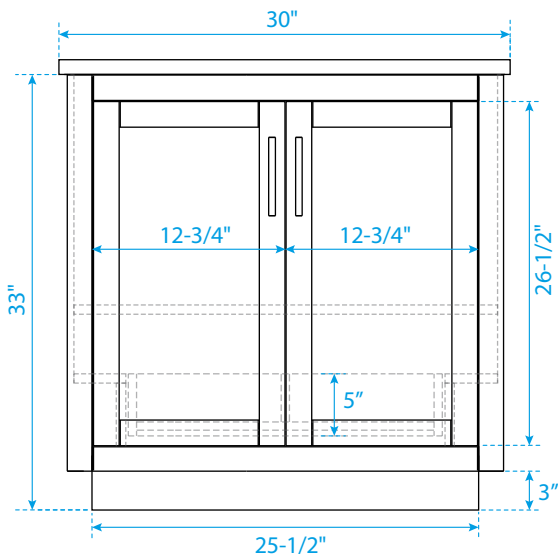
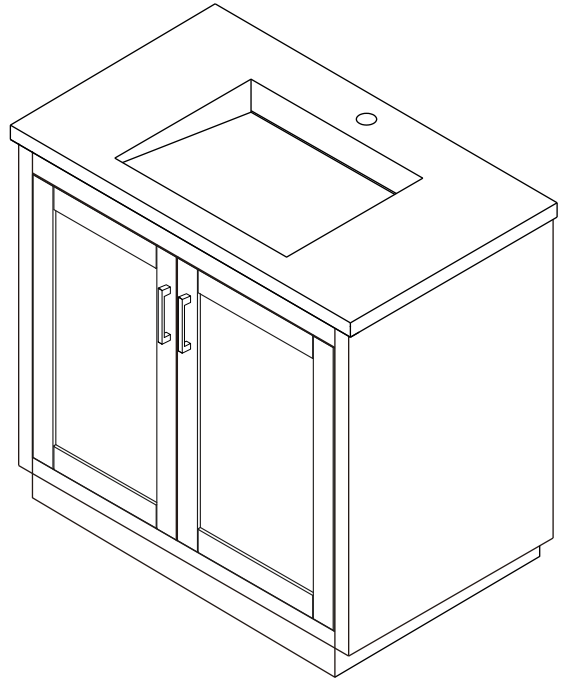
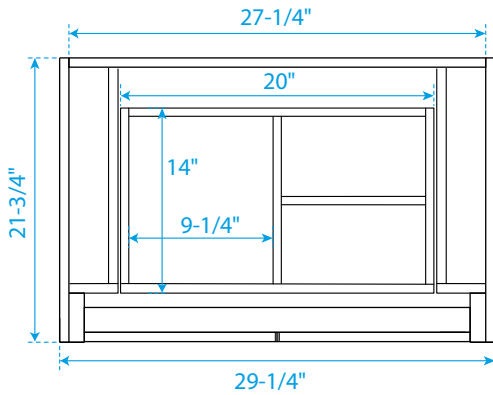


# WYNDHAM COLLECTION



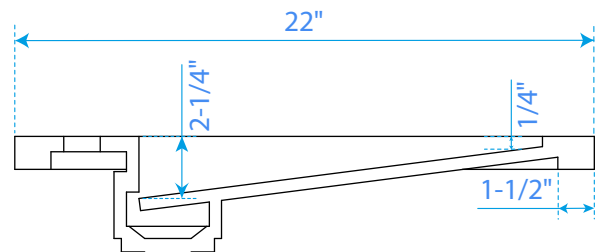
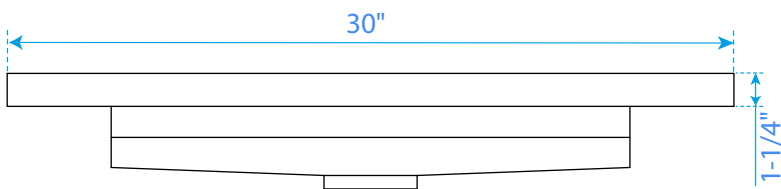
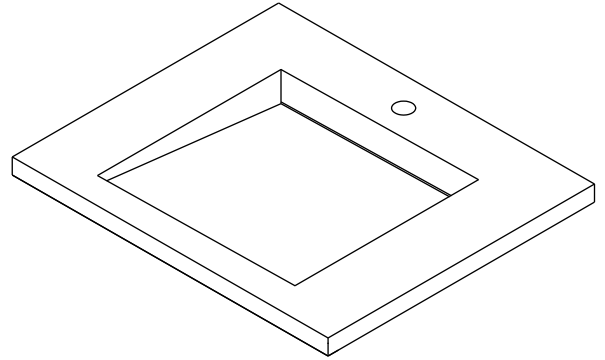
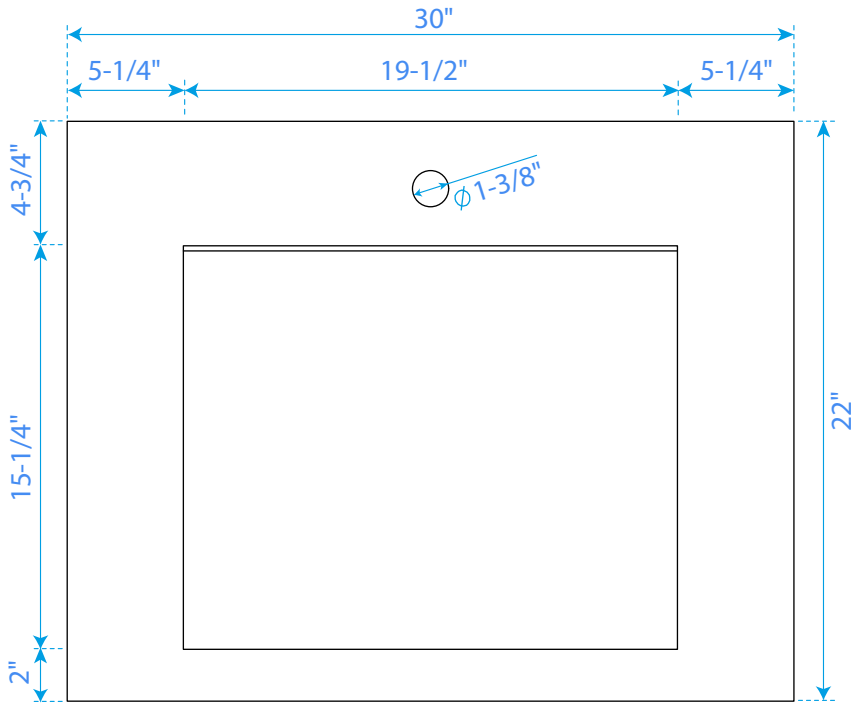
TOP VIEW OF VANITY CABINET



\*Note: All measurements are  $\pm 1/4"$ .

**WC-2929-30-SGL**  
with integrated sinks

# WYNDHAM COLLECTION



\*Note: All measurements are  $\pm 1/4"$ .

WC-KCI-30-SGL-TOP