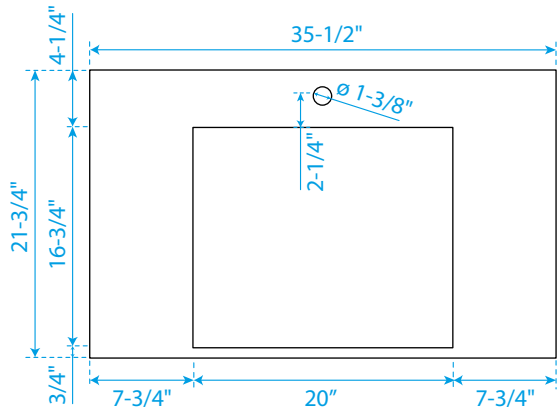
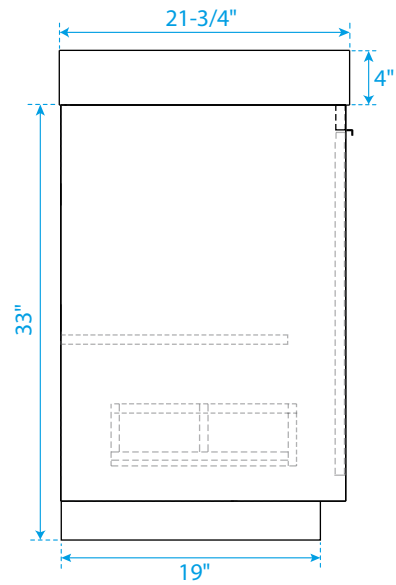
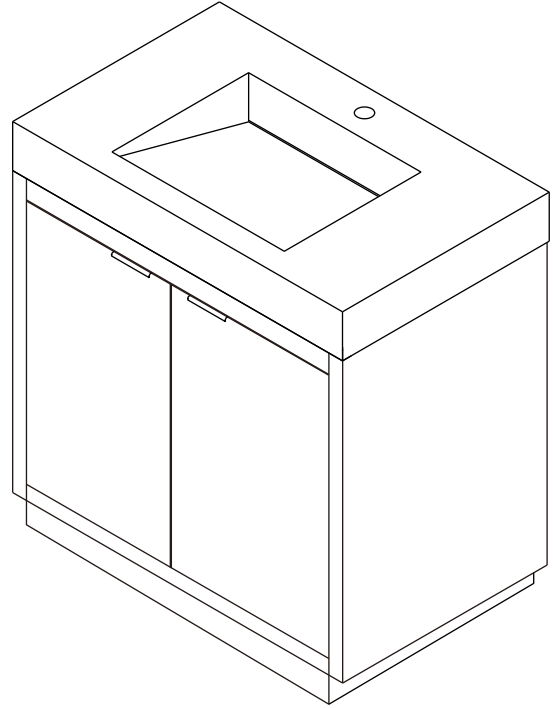
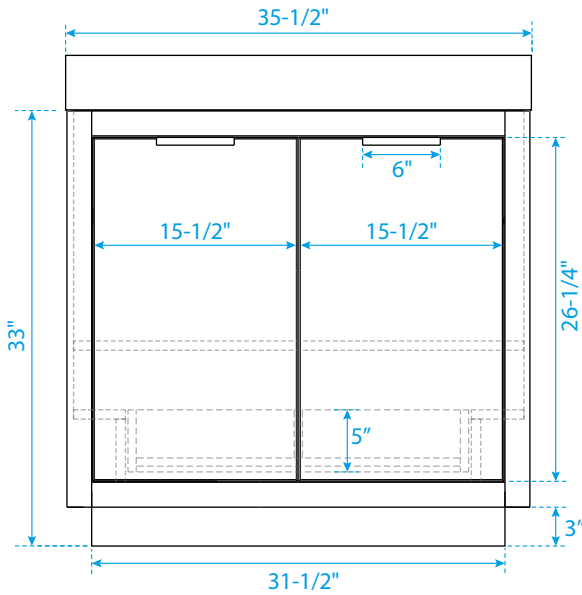
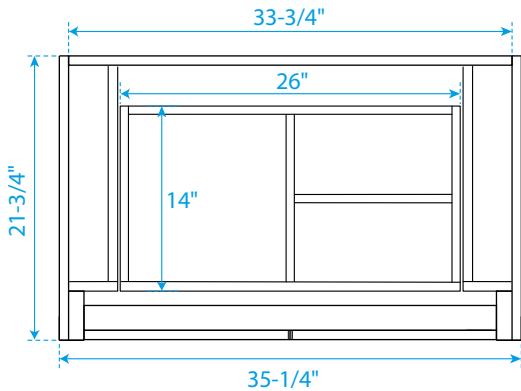


WYNDHAM COLLECTION



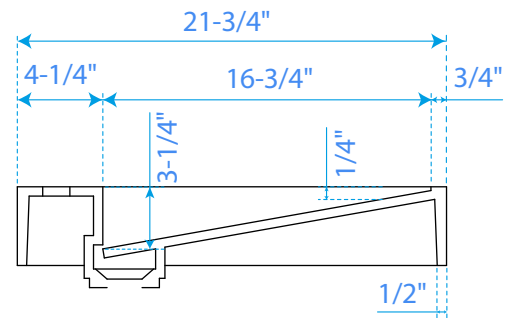
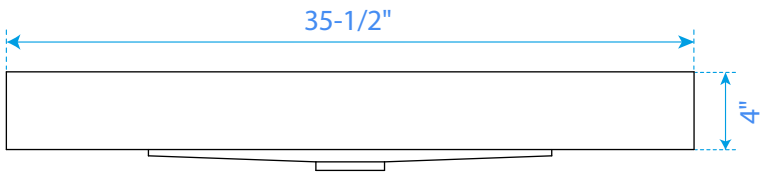
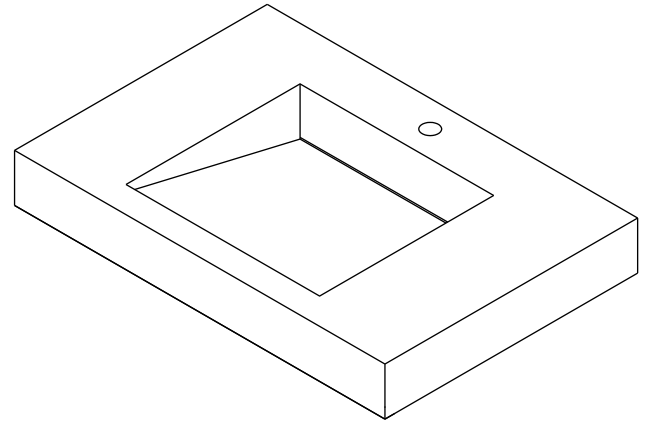
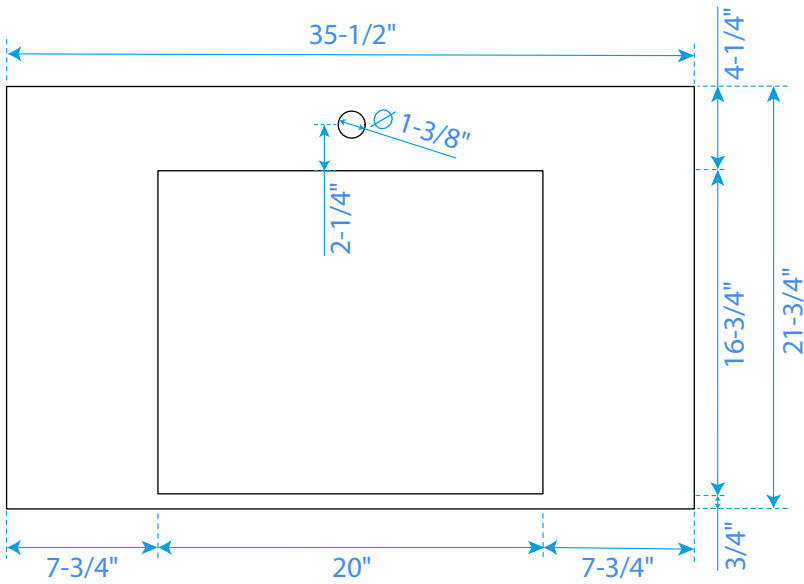
TOP VIEW OF VANITY CABINET



*Note: All measurements are $\pm 1/4"$.

WC-2828-36-SGL
with integrated sinks

WYNDHAM COLLECTION



*Note: All measurements are $\pm 1/4$ ".

WC-KC4-36-SGL-TOP