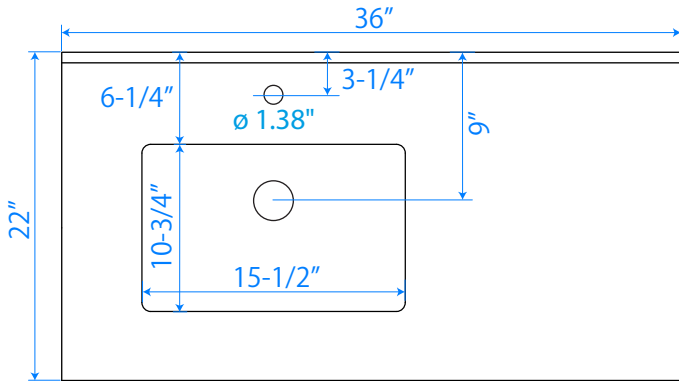
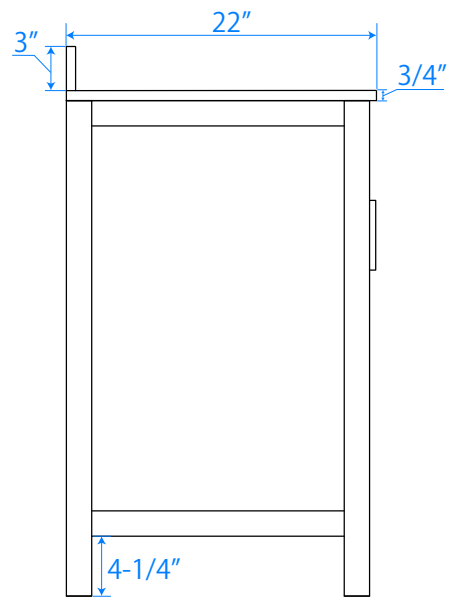
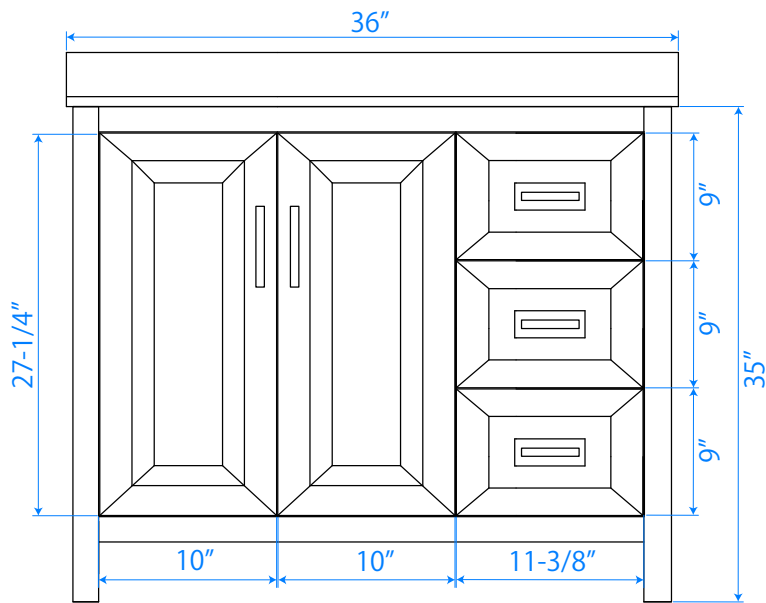
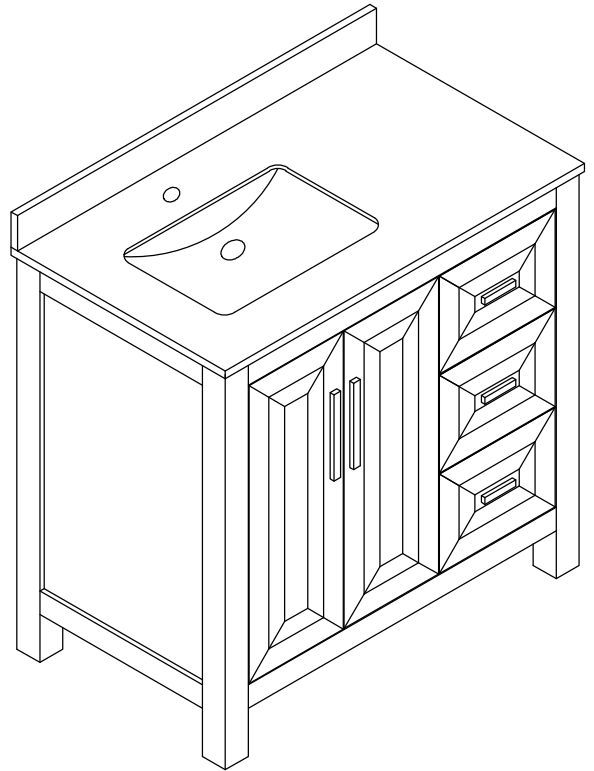
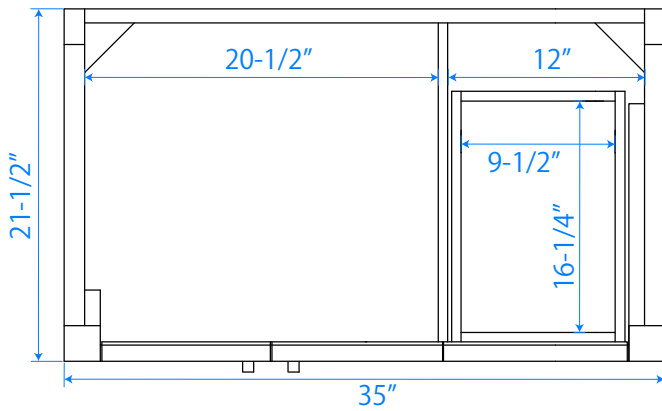


# WYNDHAM COLLECTION



TOP VIEW OF VANITY CABINET



Note: All Measurements are  $\pm 1/4"$

WC-2525-36